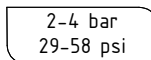
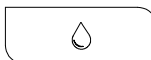
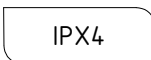
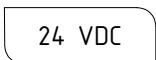
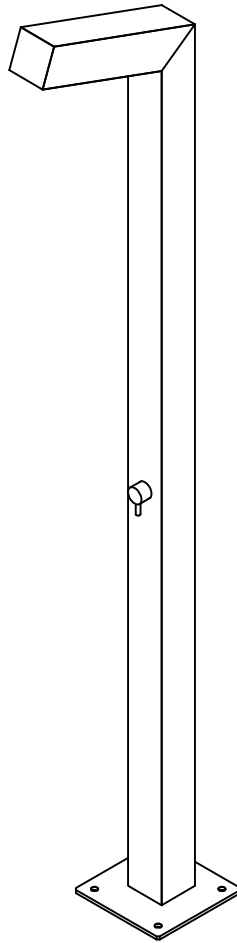


MINIMO OUTDOOR SHOWER INSTALLATION INSTRUCTIONS

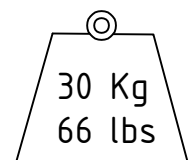
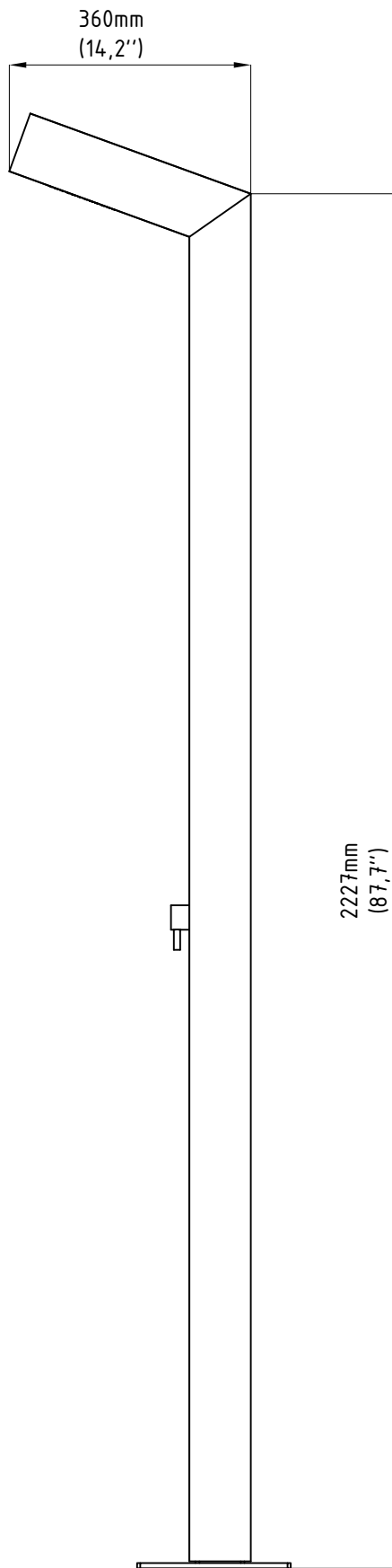
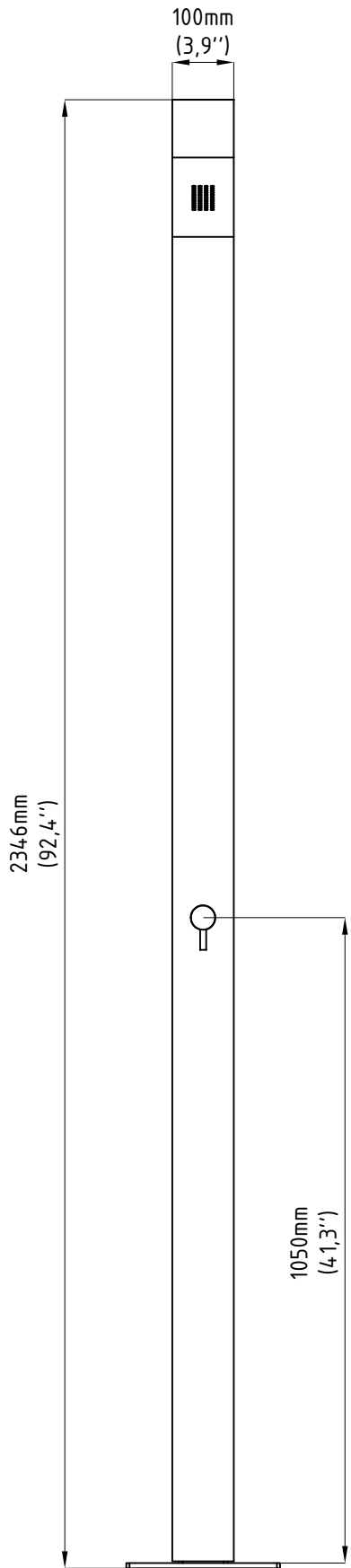


ALL DIMENSIONS ARE GIVEN ACCORDING TO THE SI SYSTEM OF UNITS (MM, KG, °C), ADDITIONAL DIMENSIONS THAT ARE WRITTEN IN BRACKETS, ARE GIVEN ACCORDING TO THE U.S. MEASUREMENT SYSTEM (IN, LBS, °F)

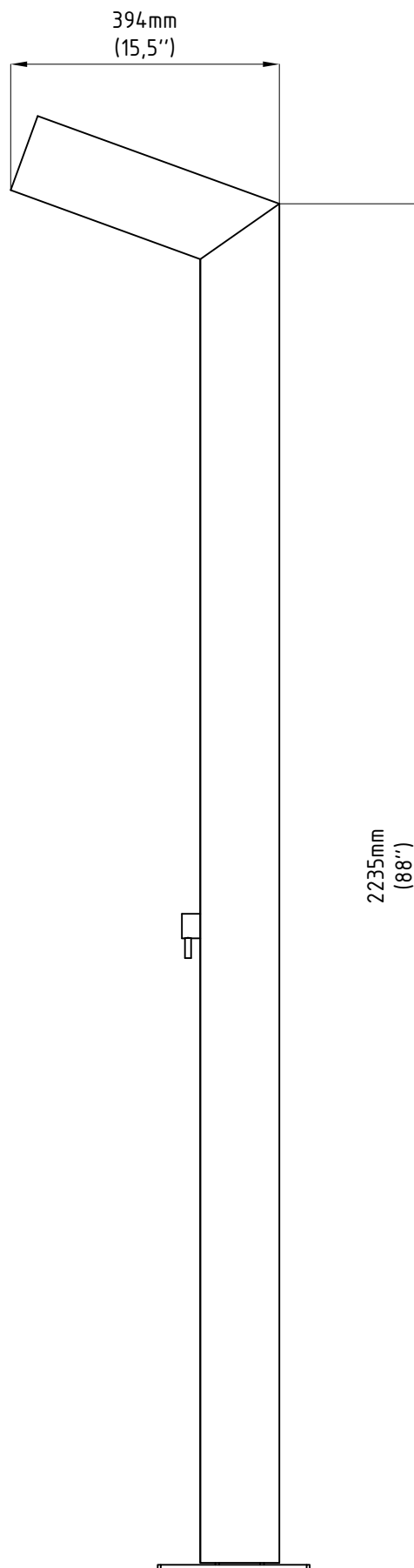
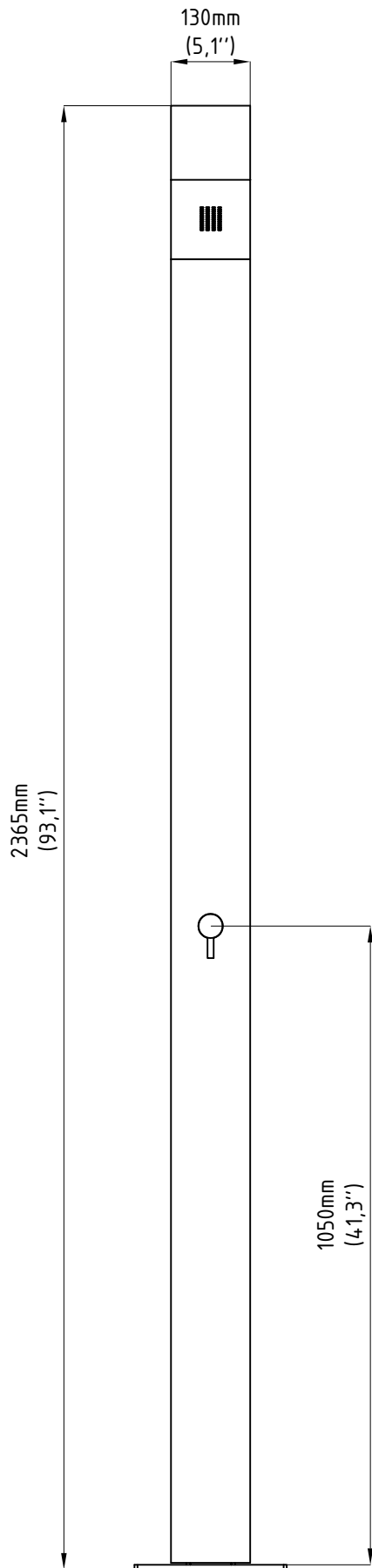
GENERAL REMARKS ON SAFETY

- READ ALL OF THESE INSTRUCTIONS BEFORE INSTALLING THE SHOWER.
- KEEP ALL OF THE INSTRUCTIONS FOR FUTURE REFERENCE.
- INSTALLATION IS TO BE PERFORMED BY A QUALIFIED CONTRACTOR.
- ALL INSTALLATIONS ARE TO CONFORM TO THE STANDARDS OF THE NATIONAL ELECTRICAL CODE AS WELL AS ALL LOCAL JURISDICTIONAL CODES AND REGULATIONS.
- THE MANUFACTURER ACCEPTS NO RESPONSIBILITY FOR DAMAGE TO PERSONS OR PROPERTY ARISING THROUGH IMPROPER USE OR INSTALLATION.
- FOR WARRANTY CONDITIONS PLEASE CONSULT LOCAL SALES REPRESENTATIVE

CERAMIC SHOWER DIMENSION



STONE SHOWER DIMENSION

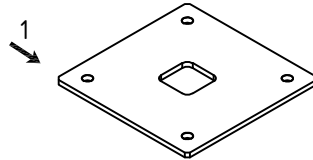


78 Kg
172 lbs

INSTALLATION GUIDE

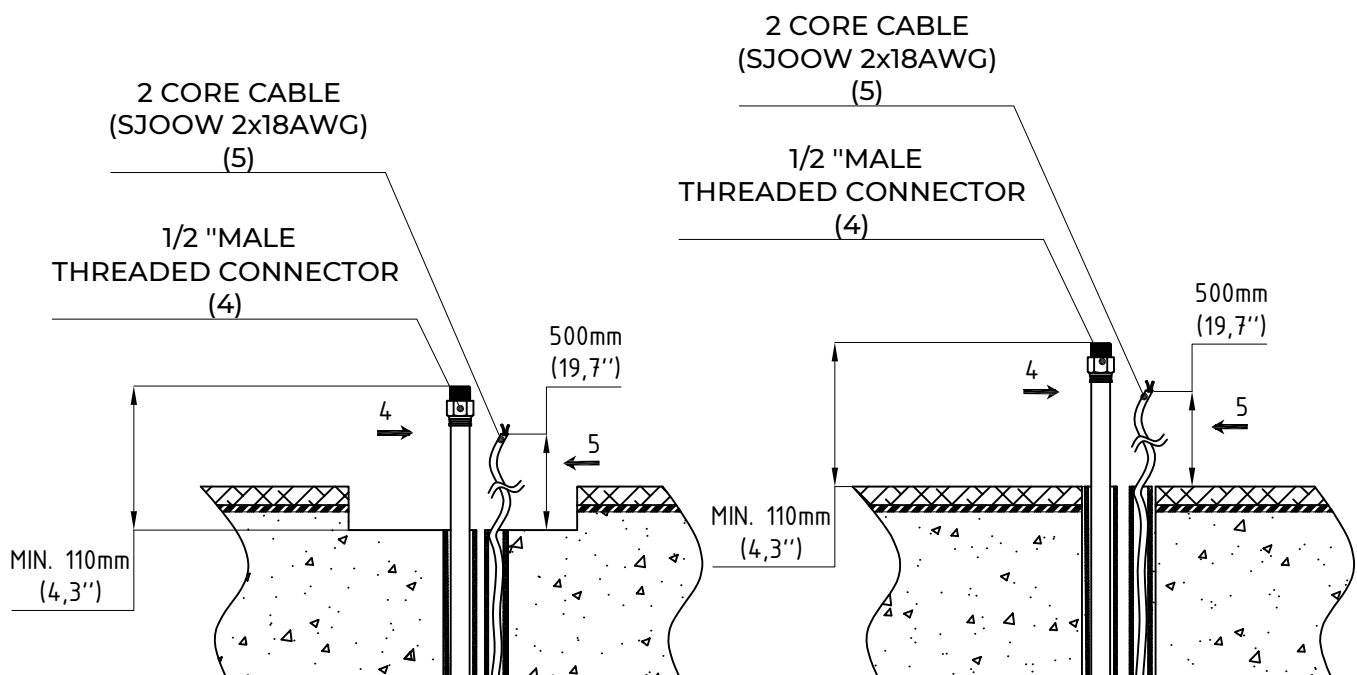
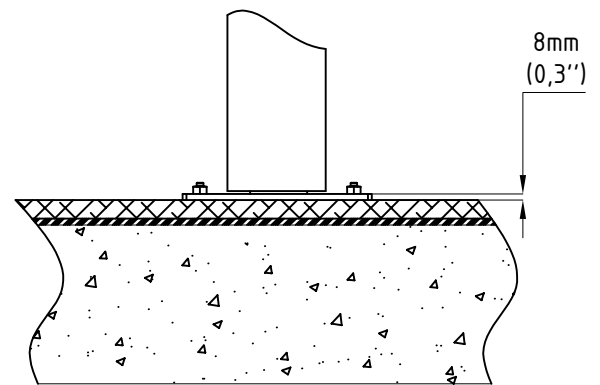
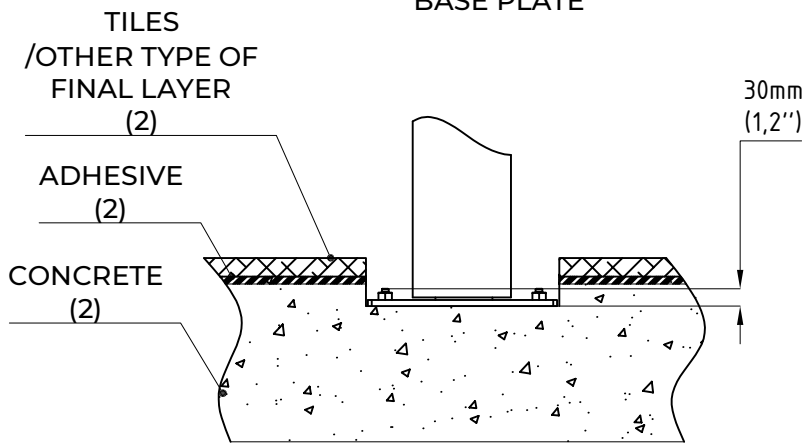
BACK FEED INSTALLATION

1. USE GIVEN TEMPLATE FOR IN-GROUND PREPARATION.
2. IF SHOWER BASE PLATE IS COVERED WITH TILES OR SOME OTHER TYPE OF FINAL LAYER ENSURE ADEQUATE DEPTH OF INSTALLATION (Shower base plate thickness 8mm (0,3"))
3. PREPARE WATER AND POWER SUPPLY ACCORDING TO THE INLET OPENING ON THE PROVIDED TEMPLATE (See page 6)
4. WATER SUPPLY MUST BE PREPARED WITH MALE 1/2" THREADED FITTING; MINIMUM CONNECTION HEIGHT 110mm (4,3") FROM THE INSTALLATION SURFACE
5. FOR POWER SUPPLY 2 CORE 24 V CABLE MUST BE SUPPLIED WITH MINIMUM LENGTH 500mm (19,7")



INLAYED AND COVERED
BASE PLATE

INSTALLATION ON THE
EXISTING SURFACE

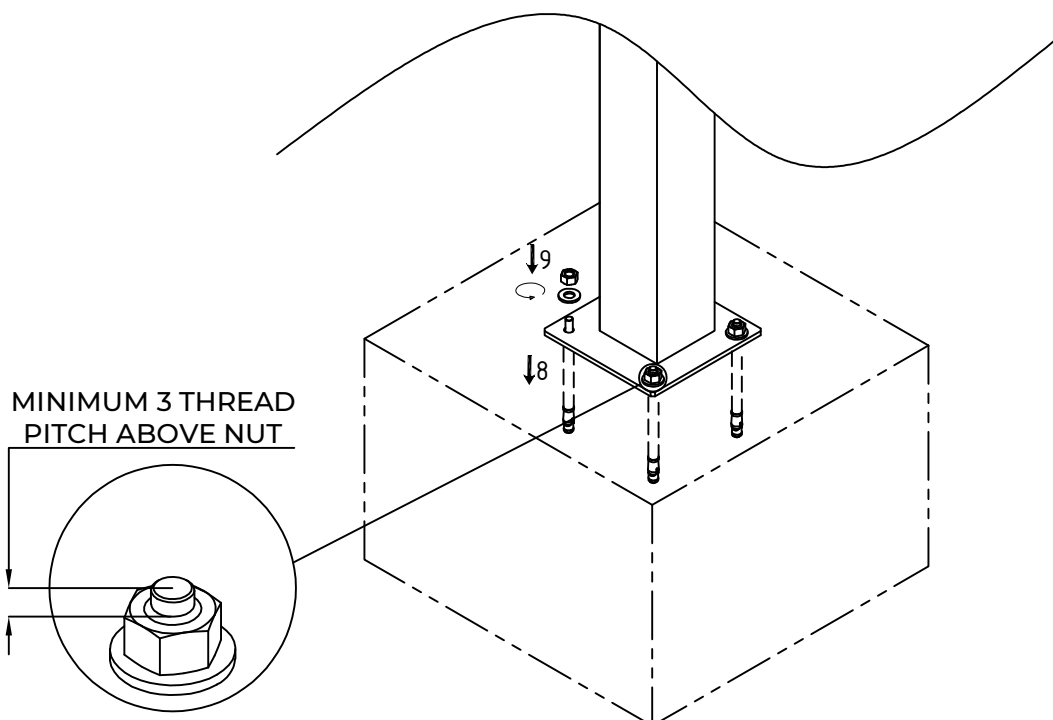
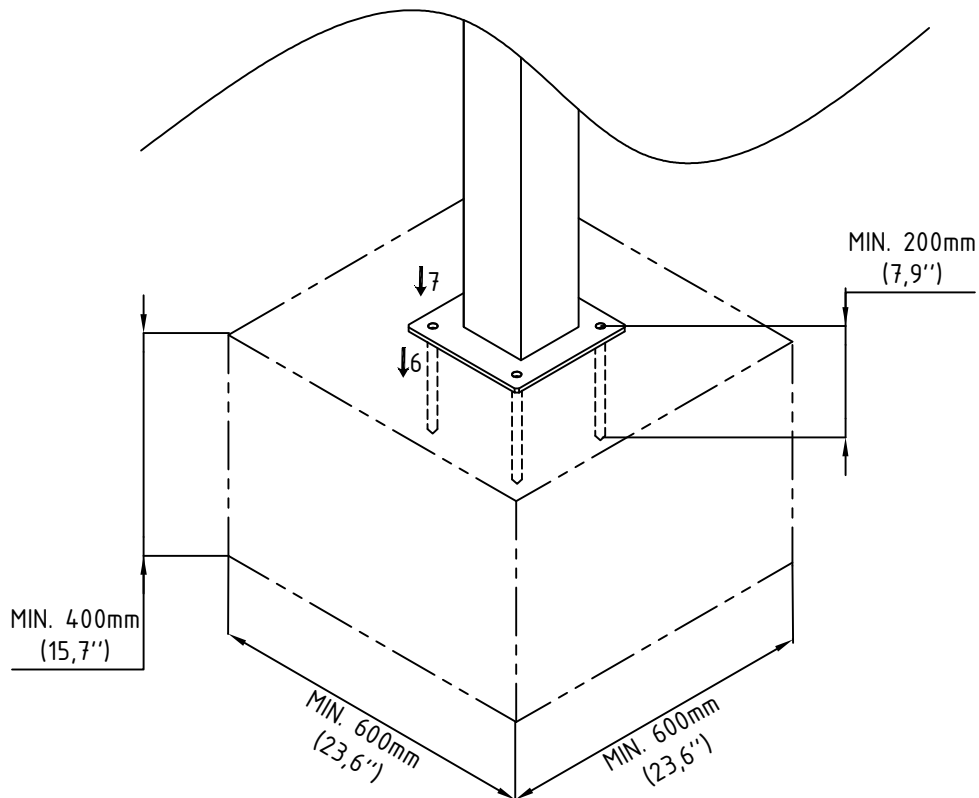


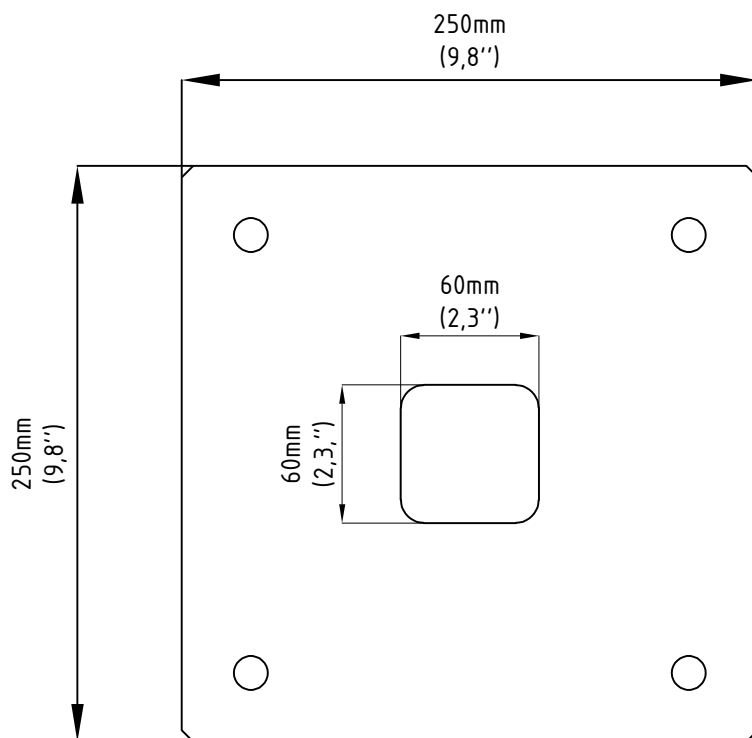
BACK FEED INSTALLATION

- IT IS ADVISED TO DRILL HOLES FOR ANCHOR BOLTS WHEN THE SHOWER IS POSITIONED; IF NECESSARY DRILL HOLES ACCORDING TO THE GIVEN TEMPLATE (See page 6); DEFINE THE HOLE DIAMETER ACCORDING TO THE INSTRUCTIONS GIVEN ON THE CHEMICAL DOWEL USED FOR ANCHORING; MINIMUM HOLE DEPTH 200mm (7,9")
- FILL THE DRILLED HOLES ACCORDING TO THE INSTRUCTIONS ON THE CHEMICAL DOWEL USED
- DRIVE THE ANCHOR BOLTS INTO THE DRILLED HOLES, ENSURE A MINIMUM OF 20mm (8") THREAD LENGTH ABOVE THE SHOWER BASE PLATE
- INSERT WASHER AND TIGHTEN NUTS
- MAKE SURE THE JOINT IS TIGHTEN UP AND SECURE - MINIMUM 3 THREAD PITCH ABOVE NUT IS REQUIRED

NOTE:

MINIMUM REQUIRED FOUNDATION DIMENSIONS 600mm (23,6") x 600mm (23,6") x 400mm (15,7")





SIDE FEED INSTALLATION

1. RETURN TO PAGE 5 AND FOLLOW STEPS 6. TO 10.
2. SEE PAGE 4 FOR CONNECTION TYPE TO WATER AND POWER SUPPLY

