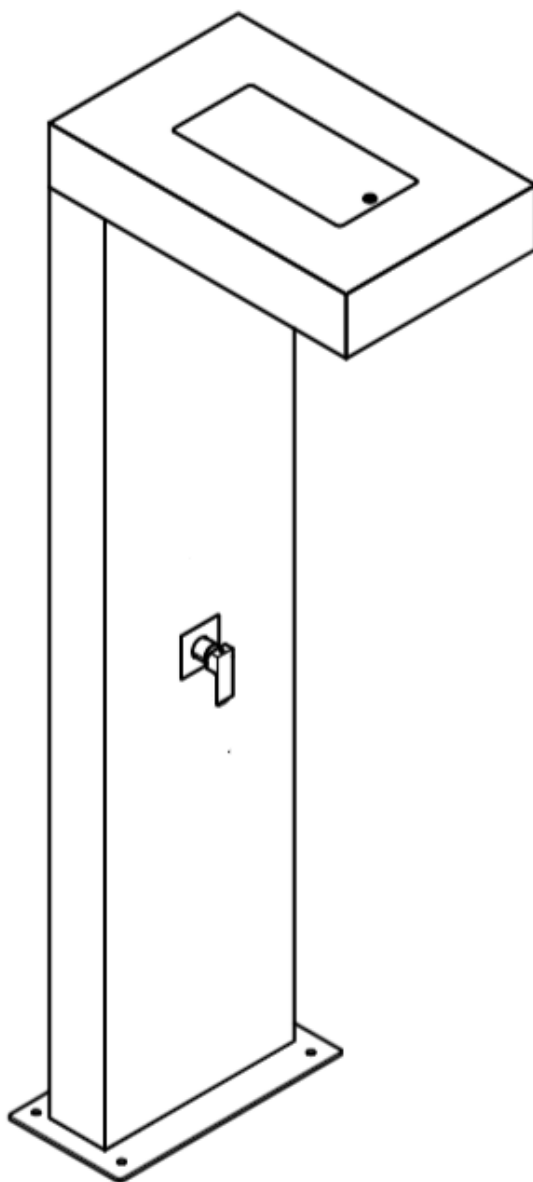


OUTDOOR L-SHOWER

INSTALLATION INSTRUCTIONS



KORTA

WARRANTY:

ALL PRODUCTS ARE COVERED BY THIS WARRANTY AND WE MAKE NO OTHER WARRANTIES. THE WARRANTY SHALL APPLY FOR THE PERIOD OF THREE (3) YEARS FROM THE DATE OF ORIGINAL PURCHASE - INVOICE DATE. THE WARRANTY ONLY COVERS PRODUCTS INSTALLED AND MAINTAINED IN ACCORDANCE WITH THE INSTRUCTIONS PROVIDED BY THEIR RESPECTIVE MANUFACTURER AND NO WARRANTY IS MADE WITH RESPECT TO ANY OF OUR PRODUCTS THAT ARE OTHERWISE INSTALLED OR MAINTAINED. PRODUCT DIMENSIONS LISTED ARE PROVIDED BY THEIR RESPECTIVE MANUFACTURER AND TO OUR KNOWLEDGE ARE AS ACCURATE AS POSSIBLE. DEFECTS OR FAILURES ARISING DURING SHIPMENT OR DUE TO ALTERATIONS, MISUSE, NEGLIGENCE, ACCIDENT, THEFT, DEFECTIVE MAINTENANCE, DAMAGE BY AND ACTIONS OF OTHERS, OR WHERE ADEQUATE CARE HAS NOT BEEN TAKEN TO PREVENT CHEMICAL OR MECHANICAL DAMAGE TO THE PRODUCT SHALL NOT BE COVERED BY THIS WARRANTY.

THE WARRANTY DOES NOT COVER PRODUCTS THAT HAVE BEEN EXPOSED TO AGGRESSIVE ENVIRONMENT (TOXIC, NUCLEAR, EXTREMELY CORROSIVE) OR WHERE OPERATING TEMPERATURE FALL BELOW -30°C OR EXCEED $+65^{\circ}\text{C}$. THE WARRANTY DOES NOT COVER ANY DAMAGE CAUSED BY PIPE BURSTING DUE TO WATER FREEZING (BELOW 0°C) IN THE SYSTEM. UNLESS THERE IS A PIPE HEATING SYSTEM, THE WATER SHOULD BE DRAINED FROM THE SYSTEM DURING COLD WEATHER SEASON.

UNDER THIS WARRANTY INFINITY LUXURY IS NOT LIABLE OR RESPONSIBLE FOR ANY ADDITIONAL CHARGES SUCH AS SHIPPING, TRANSPORTATION OF ADDITIONAL AND NEW ITEMS, LABOR CHARGES RELATED TO REMOVAL OR REPLACEMENT, OR ANY OTHER INCIDENTAL OR CONSEQUENTIAL DAMAGES. ALL ELECTRONIC OR CONSUMABLE COMPONENTS ARE SUBJECT TO REPAIR OR CHANGE OVER TIME UNDER STANDARD REPLACEMENT AND NORMAL

DISCLAIMER OF IMPLIED WARRANTIES:

EXCEPT AS SET FORTH IN THE LIMITED WARRANTY OR OTHERWISE REQUIRED BY LAW, INFINITY LUXURY LTD. PROVIDES ALL PRODUCTS AS IS AND DISCLAIMS ALL OTHER EXPRESS OR IMPLIED WARRANTIES, INCLUDING BUT NOT LIMITED TO IMPLIED WARRANTIES OF MERCHANTABILITY OR FITNESS FOR A PARTICULAR PURPOSE AND ALL SUCH WARRANTIES ARE

LIMITATION OF DAMAGES:

IF DURING THE WARRANTY PERIOD ANY PRODUCT PROVES DEFECTIVE IN MATERIALS OR WORKMANSHIP, OR FAILS TO MEET OUR PUBLISHED PERFORMANCE SPECIFICATION FOR THE PRODUCT, INFINITY LUXURY LTD. LIABILITY FOR ANY BREACH OR WARRANTY SHALL BE LIMITED TO REPAIR OR, AT INFINITY LUXURY LTD. OPTION, REPLACEMENT WITH NONDEFECTIVE PRODUCT OF SUBSTANTIALLY SIMILAR SPECIFICATIONS.

THIS WARRANTY COVERS INFINITY LUXURY LTD. AND IS LIABLE FOR, ONLY THAT WARRANTY COVERAGE AND DAMAGES SPECIFICALLY DETAILED ABOVE EXCEPT AS MAY OTHERWISE BE REQUIRED BY LAW, INFINITY LUXURY LTD. SHALL NOT BE LIABLE FOR INDIRECT, INCIDENTAL, OR CONSEQUENTIAL DAMAGES, EVEN IF INFINITY LUXURY LTD. HAS BEEN ADVISED OF THE POSSIBILITY OF SUCH DAMAGE THIS DISCLAIMER APPLIES DURING AND AFTER THE WARRANTY PERIOD. WARRANTY IS INITIATED AND VALID FROM THE SHIPPING DATE.

IF YOU DISCOVER A DEFECT OR MALFUNCTION DURING THE PERIOD TO WHICH THIS WARRANTY APPLIES, REPAIR OR REPLACEMENT IS SUBJECT TO THE PROPER NOTIFICATION AND CONSENT OF INFINITY LUXURY LTD.

GENERAL REMARKS/GUIDE ON SAFETY:

- READ ALL OF THESE INSTRUCTIONS PRIOR TO STARTING WORK
- KEEP ALL OF THE INSTRUCTIONS FOR THE FUTURE REFERENCE
- WORK MUST BE PERFORMED IN COMPLIANCE WITH QUALITY STANDARDS, PERFORMED BY QUALIFIED CONTRACTOR AND UNDER CONSTANT PRESENCE OF QUALIFIED SUPERVISOR
- ALL INSTALLATION, MATERIAL AND PRODUCTS ARE TO CONFORM TO THE STANDARDS OF THE NATIONAL BUILDING CODE, NATIONAL PLUMBING CODE AND NATIONAL ELECTRICAL CODE AS WELL AS ALL JURISDICTIONAL CODES AND REGULATIONS
- INSTALLATION OF REINFORCING MESH IN COMPLIANCE WITH NATIONAL CODES IF STRICTER THAN REGULATIONS GIVEN WITH THIS INSTRUCTIONS
- THE MANUFACTURER ACCEPTS NO RESPONSIBILITY FOR THE DAMAGE TO PERSONS OR PROPERTY ARISING THROUGH IMPROPER USE OR INSTALLATION

24 VDC



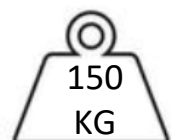
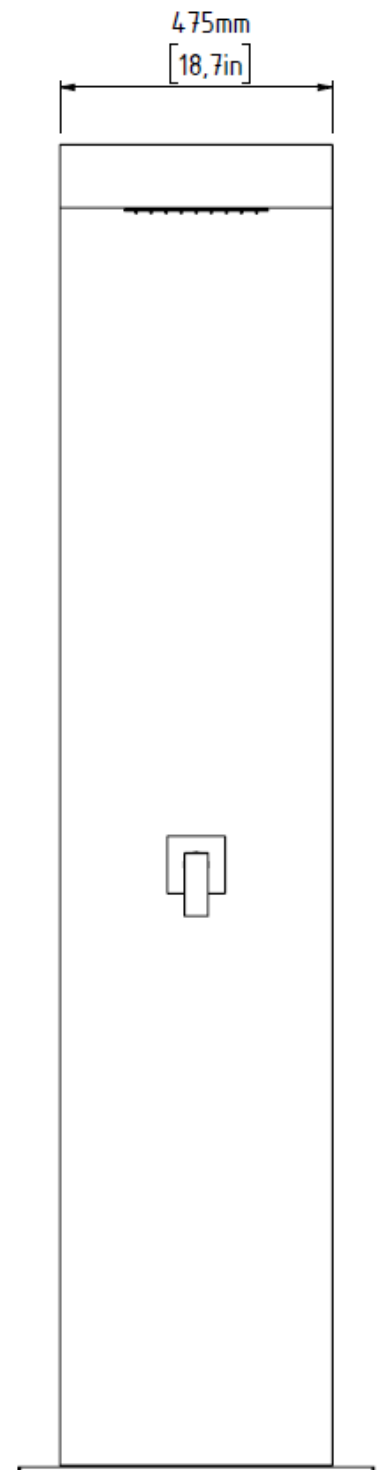
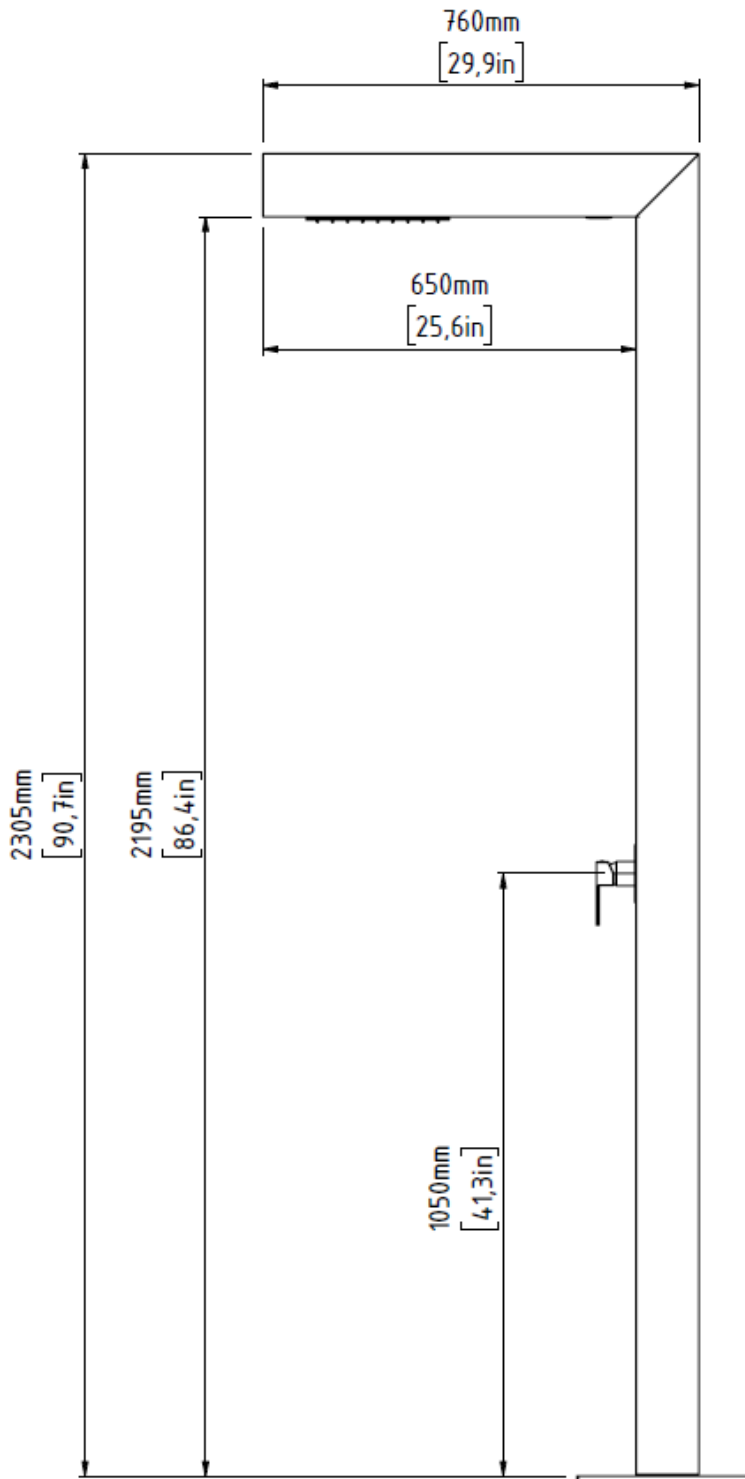
CE



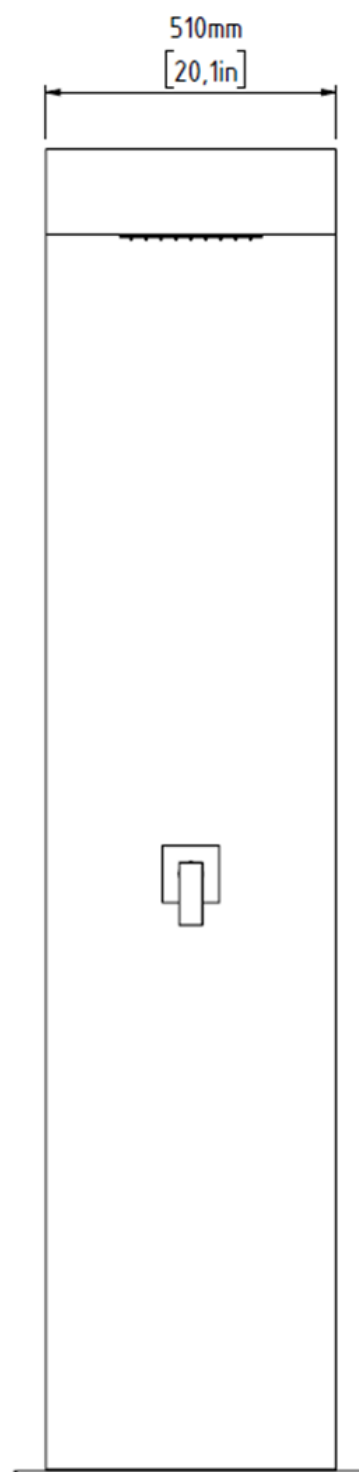
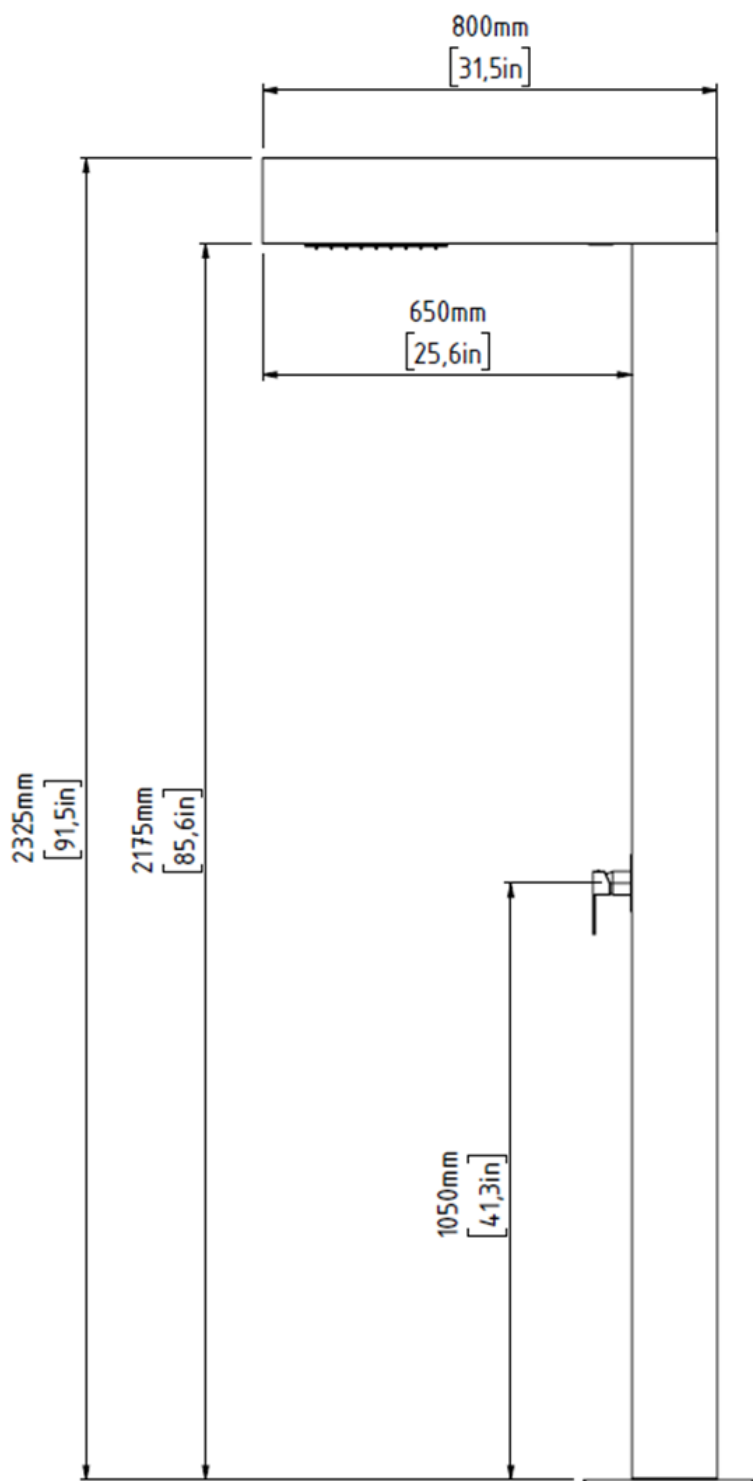
2-4 bar
29-58 psi

All dimensions are given according to the SI system of units (mm/cm/m, kg, °C), additional dimensions that are written in brackets, are given according to the U.S. measurement system (in/ft, °F)

CERAMIC SHOWER DIMENSIONS:

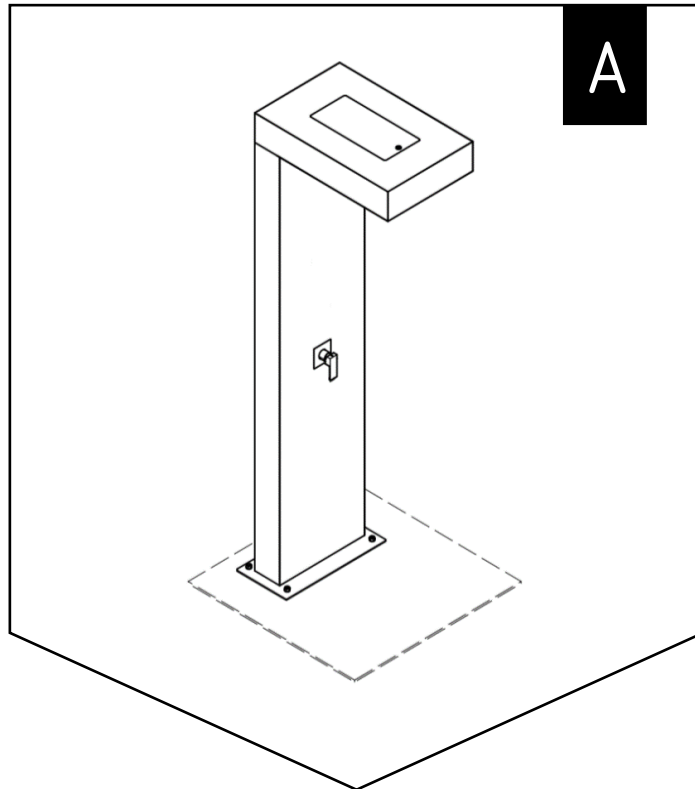


STONE SHOWER DIMENSIONS:

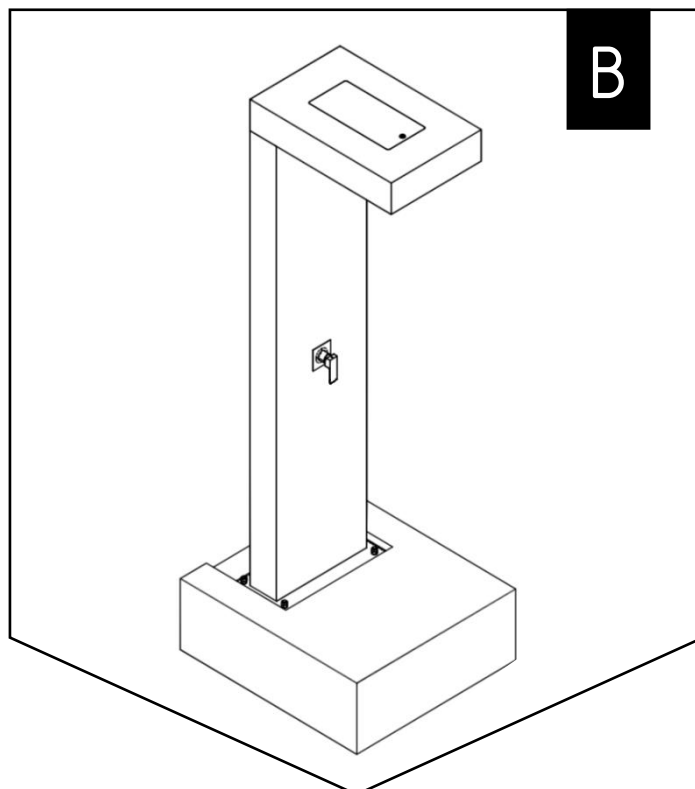


INSTALLATION GUIDE:

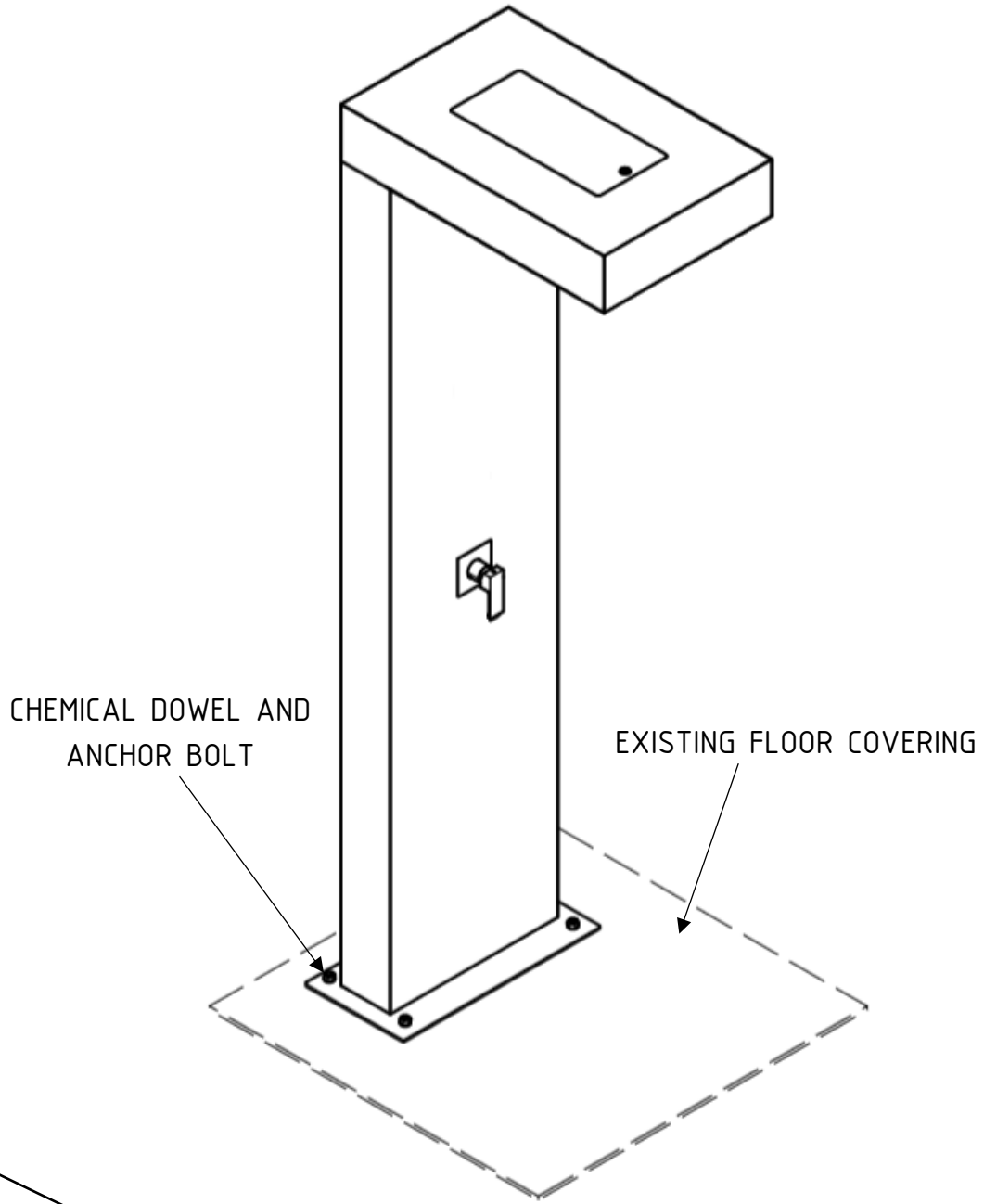
*Feature defined with order



***INSTALLATION ON THE EXISTING FLOOR – USING CHEMICAL DOWEL AND ANCHOR BOLTS**

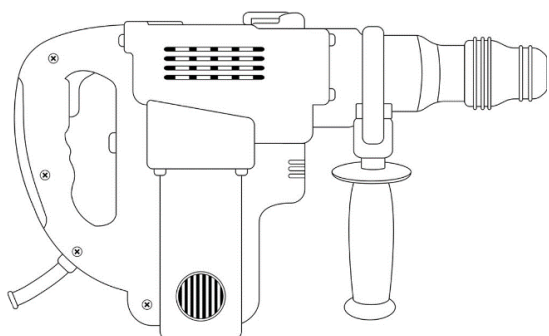


***INSTALLATION ON POURED FOUNDATION (See document Installation Instruction – Foundation) – PLACING AND TIGHTENING THE SHOWER ON THE FOUNDATION BASE PLATE**



NECESSARY TOOLS:

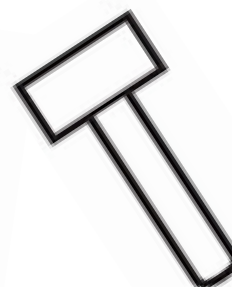
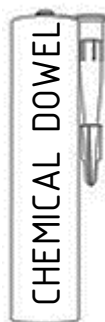
A



φ ACCORDING TO THE INSTRUCTIONS
ON THE CHEMICAL DOWEL FOR
RESPECTIVE M12 ANCHOR BOLT



22



PROVIDED BY MANUFACTURER:

A



x4 WASHER M12

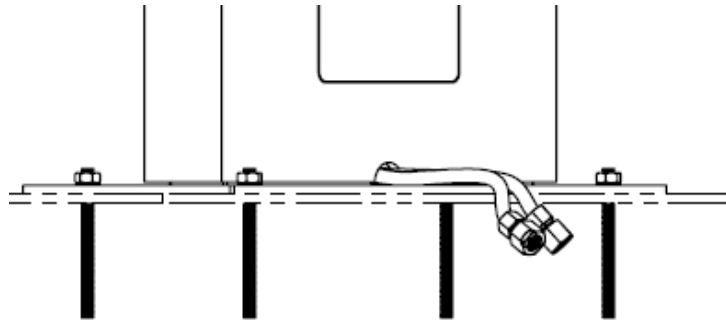
x4 NUT M12

x4 ANCHOR BOLT M12

*Feature defined with order

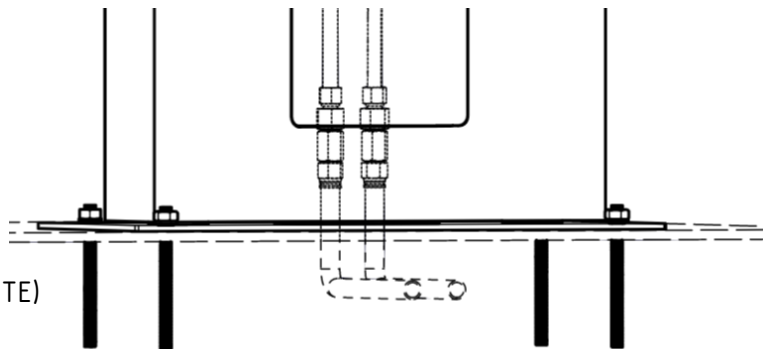
1. BOTH WATER AND POWER SUPPLY TO BE PROVIDED BEFORE INSTALLING THE SHOWER
2. POSITION THE SHOWER REGARDING THE PROVIDED WATER SUPPLY AND POWER SUPPLY - ***EXTERNAL (E) OR INTERNAL (I) CONNECTION POINT**

E

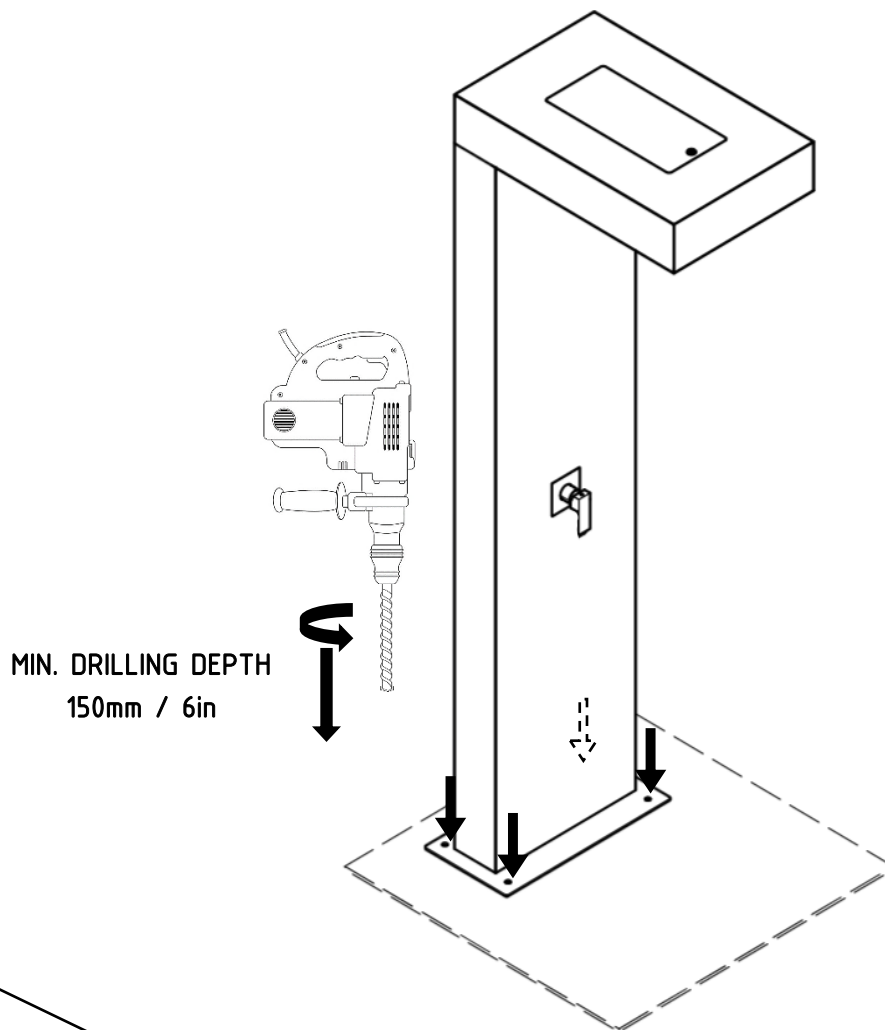


I

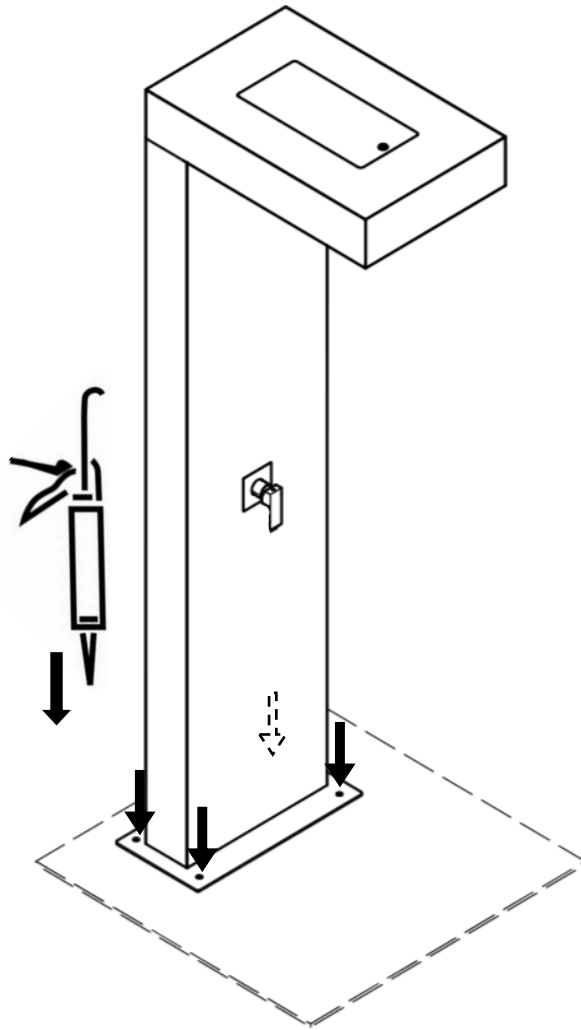
(THROUGH THE
SHOWER BASE PLATE)



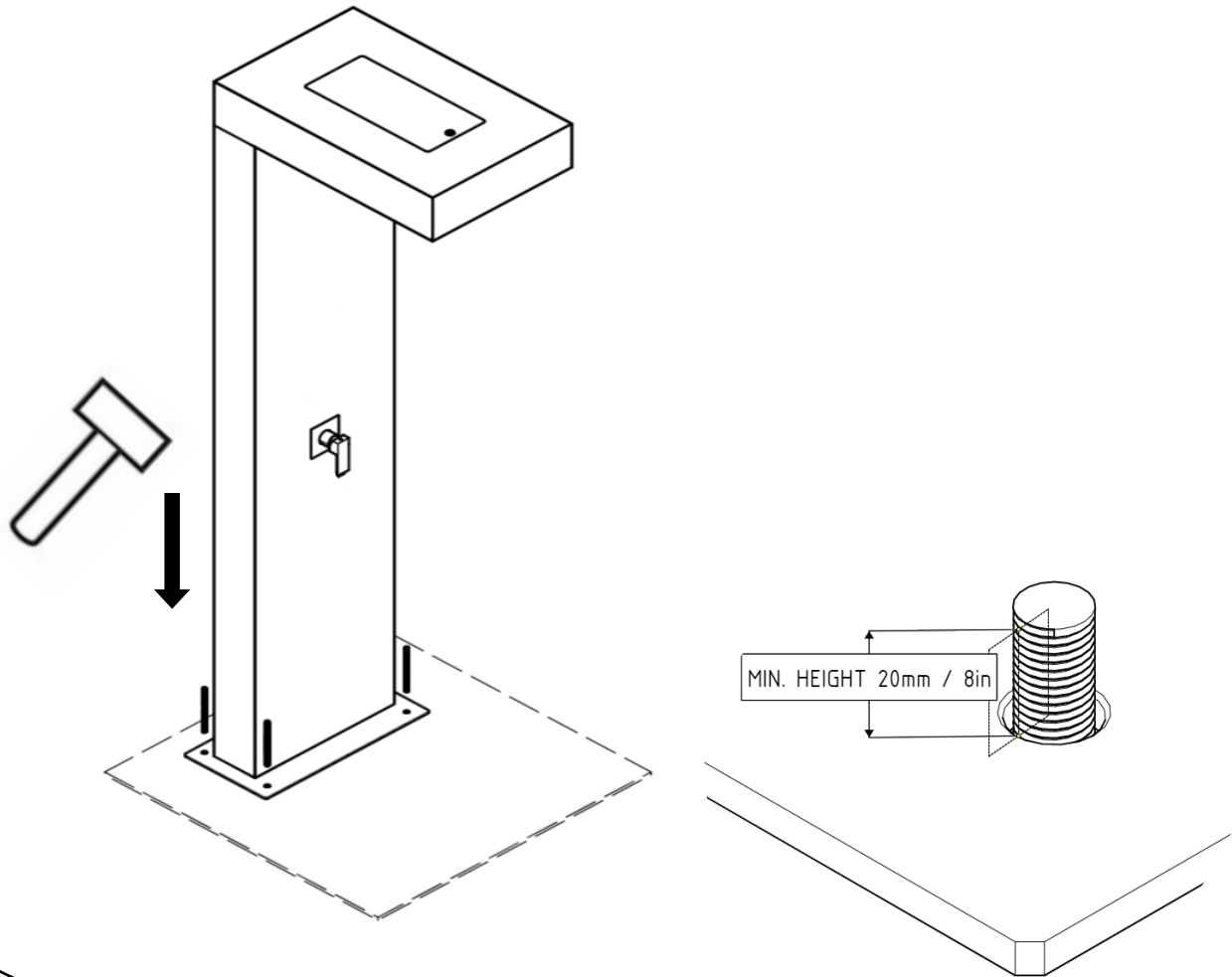
3. AFTER POSITIONING THE SHOWER DRILL HOLES ACCORDING AND THROUGH THE HOLES PROVIDED ON THE SHOWER BASE PLATE - HOLE SIZE AND DEPTH ACCORDING TO THE INSTRUCTIONS ON THE CHEMICAL DOWEL FOR ANCHOR BOLT M12



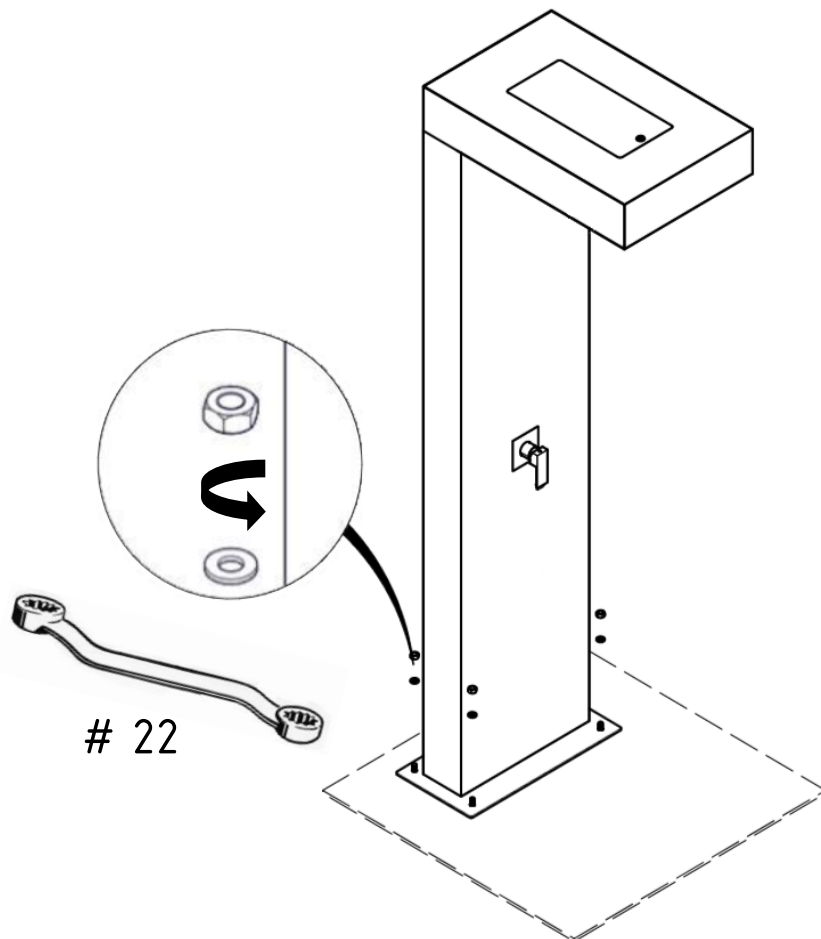
4. FILL THE DRILLED HOLES WITH CHEMICAL DOWEL - ACCORDING TO THE INSTRUCTIONS GIVEN ON THE CHEMICAL DOWEL



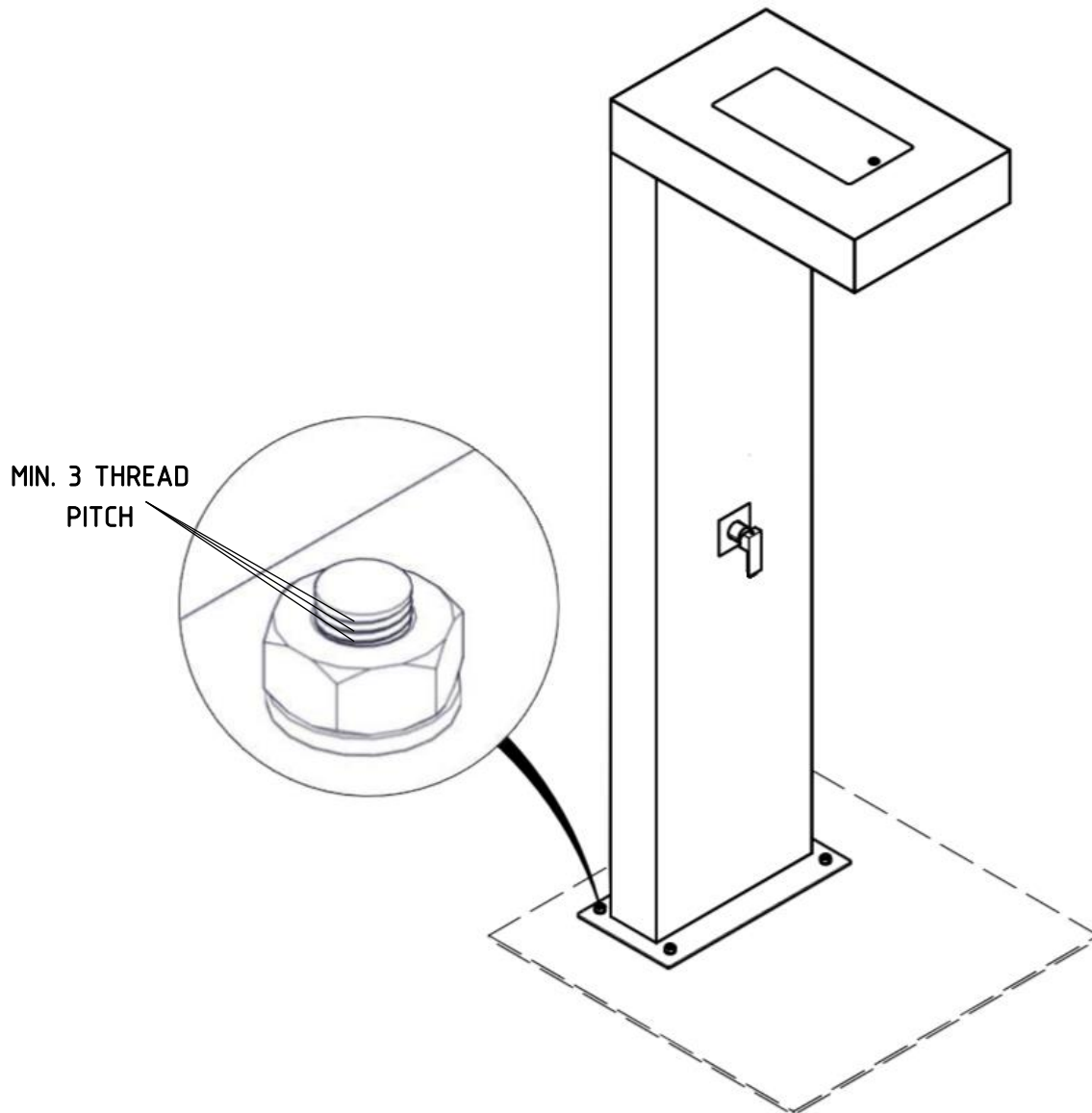
5. PLACE/DRIVE THE ANCHOR BOLTS INTO THE DRILLED HOLES
6. WHEN DRIVEN ANCHOR BOLT TOP SURFACE MUST BE AT **MINIMUM HEIGHT 20mm / 0,8in** FROM THE SHOWER BASE PLATE



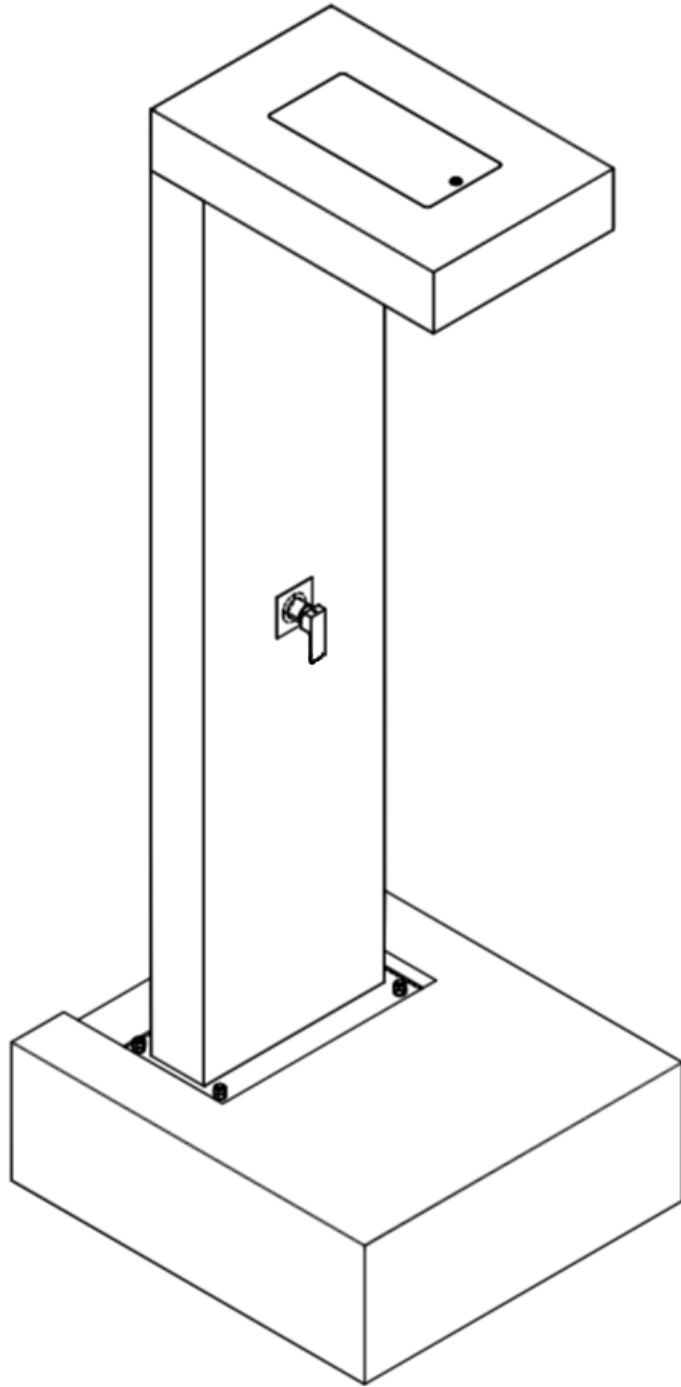
7. INSERT WASHER AND TIGHTEN NUTS



8. MAKE SURE THE JOINT IS TIGHTEN UP AND SECURE - MINIMUM 3 THREAD PITCH ABOVE NUT



B



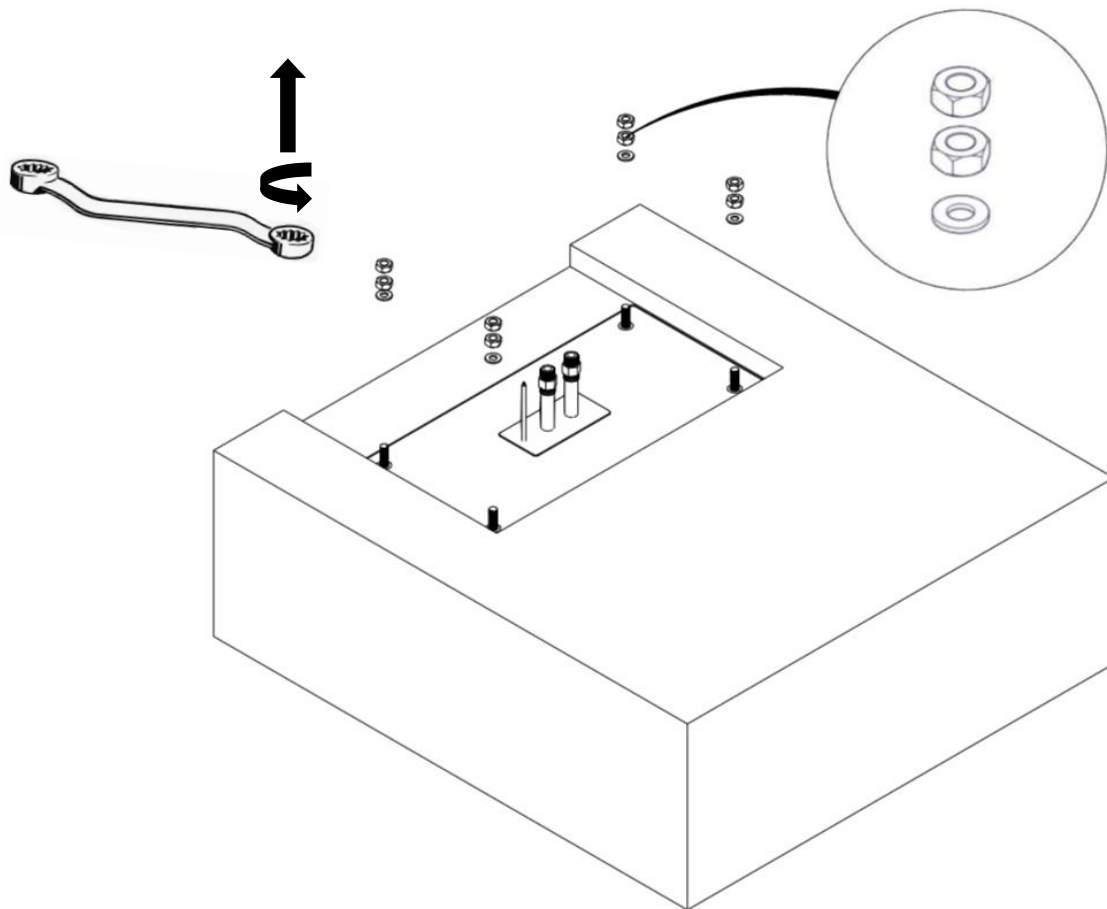
NECESSARY TOOLS:

B

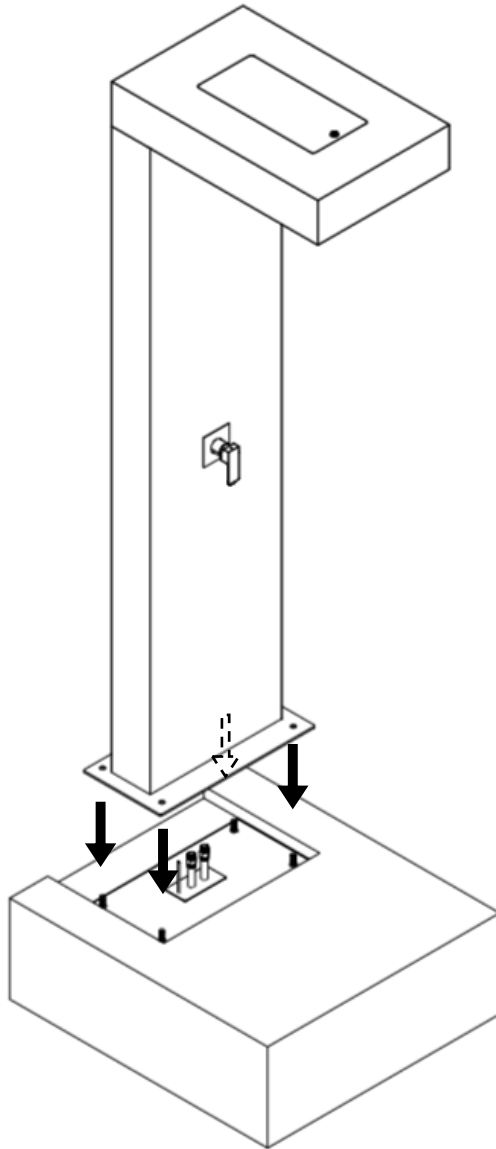


22

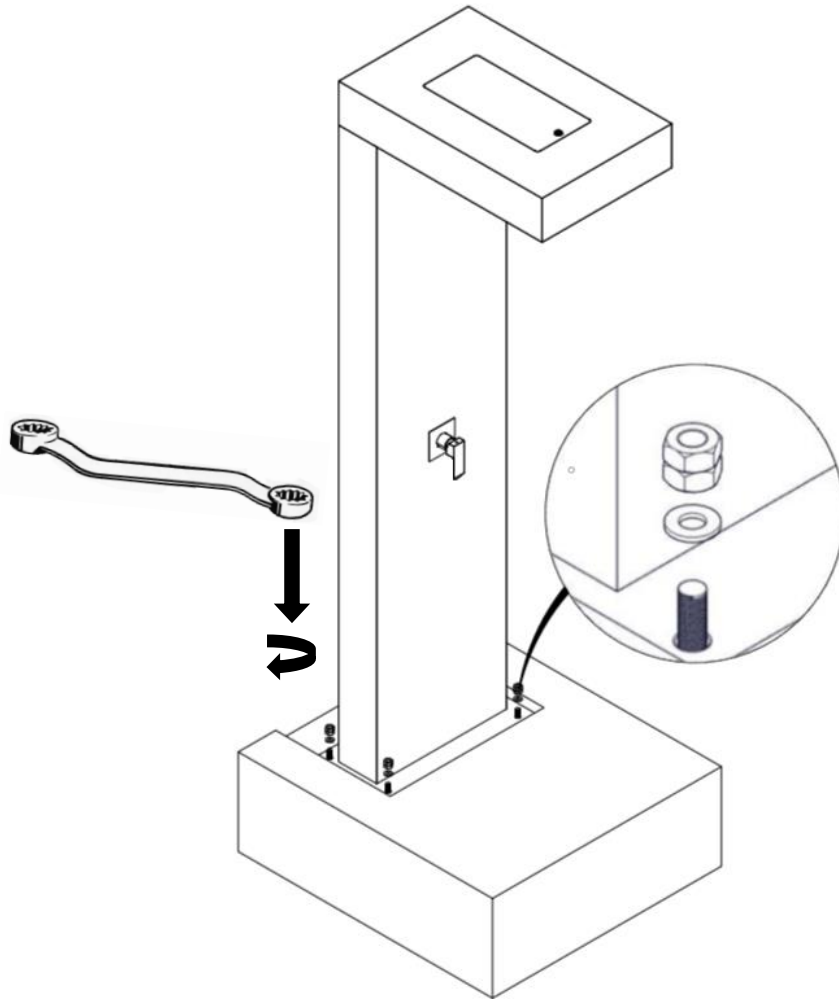
1. UNSCREW 8x M12 NUTS AND REMOVE 4x WASHER



2. POSITION THE SHOWER ACCORDING TO THE RESPECTIVE HOLES IN THE SHOWER BASE PLATE AND THREADED RODS IN THE FOUNDATION
3. BE CAREFUL NOT TO DAMAGE PIPES AND CABLE



4. POSITION THE SHOWER ACCORDING TO THE RESPECTIVE HOLES IN THE SHOWER BASE PLATE AND THREADED RODS IN THE FOUNDATION
5. BE CAREFUL NOT TO DAMAGE PIPES AND CABLE



6. MAKE SURE THE JOINT IS TIGHTEN UP AND SECURE - MINIMUM 3 THREAD PITCH ABOVE NUT

