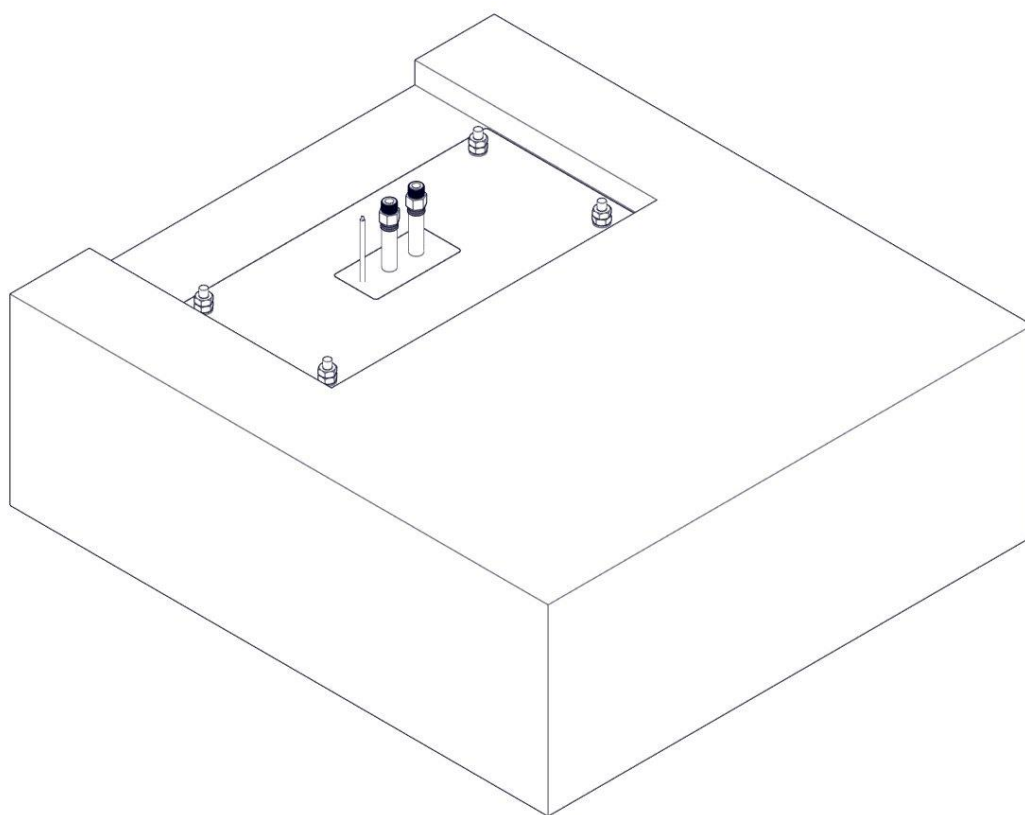


OUTDOOR L-SHOWER

INSTALLATION INSTRUCTION – FOUNDATION (ANCHORING SYSTEM)



KORTA

WARRANTY:

ALL PRODUCTS ARE COVERED BY THIS WARRANTY AND WE MAKE NO OTHER WARRANTIES. THE WARRANTY SHALL APPLY FOR THE PERIOD OF THREE (3) YEARS FROM THE DATE OF ORIGINAL PURCHASE - INVOICE DATE. THE WARRANTY ONLY COVERS PRODUCTS INSTALLED AND MAINTAINED IN ACCORDANCE WITH THE INSTRUCTIONS PROVIDED BY THEIR RESPECTIVE MANUFACTURER AND NO WARRANTY IS MADE WITH RESPECT TO ANY OF OUR PRODUCTS THAT ARE OTHERWISE INSTALLED OR MAINTAINED. PRODUCT DIMENSIONS LISTED ARE PROVIDED BY THEIR RESPECTIVE MANUFACTURER AND TO OUR KNOWLEDGE ARE AS ACCURATE AS POSSIBLE. DEFECTS OR FAILURES ARISING DURING SHIPMENT OR DUE TO ALTERATIONS, MISUSE, NEGLIGENCE, ACCIDENT, THEFT, DEFECTIVE MAINTENANCE, DAMAGE BY AND ACTIONS OF OTHERS, OR WHERE ADEQUATE CARE HAS NOT BEEN TAKEN TO PREVENT CHEMICAL OR MECHANICAL DAMAGE TO THE PRODUCT SHALL NOT BE COVERED BY THIS WARRANTY.

THE WARRANTY DOES NOT COVER PRODUCTS THAT HAVE BEEN EXPOSED TO AGGRESSIVE ENVIRONMENT (TOXIC, NUCLEAR, EXTREMELY CORROSIVE) OR WHERE OPERATING TEMPERATURE FALL BELOW -30°C OR EXCEED $+65^{\circ}\text{C}$. THE WARRANTY DOES NOT COVER ANY DAMAGE CAUSED BY PIPE BURSTING DUE TO WATER FREEZING (BELOW 0°C) IN THE SYSTEM. UNLESS THERE IS A PIPE HEATING SYSTEM, THE WATER SHOULD BE DRAINED FROM THE SYSTEM DURING COLD WEATHER SEASON.

UNDER THIS WARRANTY INFINITY LUXURY IS NOT LIABLE OR RESPONSIBLE FOR ANY ADDITIONAL CHARGES SUCH AS SHIPPING, TRANSPORTATION OF ADDITIONAL AND NEW ITEMS, LABOR CHARGES RELATED TO REMOVAL OR REPLACEMENT, OR ANY OTHER INCIDENTAL OR CONSEQUENTIAL DAMAGES. ALL ELECTRONIC OR CONSUMABLE COMPONENTS ARE SUBJECT TO REPAIR OR CHANGE OVER TIME UNDER STANDARD REPLACEMENT AND NORMAL SERVICING TERMS WITH OFFICIAL DEALER DISTRIBUTOR OR MANUFACTURER RATHER THAN WARRANTY TERMS.

DISCLAIMER OF IMPLIED WARRANTIES:

EXCEPT AS SET FORTH IN THE LIMITED WARRANTY OR OTHERWISE REQUIRED BY LAW, INFINITY LUXURY D.O.O. PROVIDES ALL PRODUCTS AS IS AND DISCLAIMS ALL OTHER EXPRESS OR IMPLIED WARRANTIES, INCLUDING BUT NOT LIMITED TO IMPLIED WARRANTIES OF MERCHANTABILITY OR FITNESS FOR A PARTICULAR PURPOSE, AND ALL SUCH WARRANTIES ARE EXPRESSLY DISCLAIMED.

LIMITATION OF DAMAGES:

IF DURING THE WARRANTY PERIOD ANY PRODUCT PROVES DEFECTIVE IN MATERIALS OR WORKMANSHIP, OR FAILS TO MEET OUR PUBLISHED PERFORMANCE SPECIFICATION FOR THE PRODUCT, INFINITY LUXURY D.O.O. LIABILITY FOR ANY BREACH OR WARRANTY SHALL BE LIMITED TO REPAIR OR, AT INFINITY LUXURY D.O.O. OPTION, REPLACEMENT WITH NONDEFECTIVE PRODUCT OF SUBSTANTIALLY SIMILAR SPECIFICATIONS.

THIS WARRANTY COVERS INFINITY LUXURY D.O.O. AND IS LIABLE FOR, ONLY THAT WARRANTY COVERAGE AND DAMAGES SPECIFICALLY DETAILED ABOVE EXCEPT AS MAY OTHERWISE BE REQUIRED BY LAW, INFINITY LUXURY D.O.O. SHALL NOT BE LIABLE FOR INDIRECT, INCIDENTAL, OR CONSEQUENTIAL DAMAGES, EVEN IF INFINITY LUXURY D.O.O. HAS BEEN ADVISED OF THE POSSIBILITY OF SUCH DAMAGE THIS DISCLAIMER APPLIES DURING AND AFTER THE WARRANTY PERIOD. WARRANTY IS INITIATED AND VALID FROM THE SHIPPING DATE.

IF YOU DISCOVER A DEFECT OR MALFUNCTION DURING THE PERIOD TO WHICH THIS WARRANTY APPLIES, REPAIR OR REPLACEMENT IS SUBJECT TO THE PROPER NOTIFICATION AND CONSENT OF INFINITY LUXURY D.O.O.

GENERAL REMARKS/GUIDE ON SAFETY:

- READ ALL OF THESE INSTRUCTIONS PRIOR TO STARTING WORK
- KEEP ALL OF THE INSTRUCTIONS FOR THE FUTURE REFERENCE
- WORK MUST BE PERFORMED IN COMPLIANCE WITH QUALITY STANDARDS, PERFORMED BY QUALIFIED CONTRACTOR AND UNDER CONSTANT PRESENCE OF QUALIFIED SUPERVISOR
- ALL INSTALLATION, MATERIAL AND PRODUCTS ARE TO CONFORM TO THE STANDARDS OF THE NATIONAL BUILDING CODE, NATIONAL PLUMBING CODE AND NATIONAL ELECTRICAL CODE AS WELL AS ALL JURISDICTIONAL CODES AND REGULATIONS
- INSTALLATION OF REINFORCING MESH IN COMPLIANCE WITH NATIONAL CODES IF STRICTER THAN REGULATIONS GIVEN WITH THIS INSTRUCTIONS
- THE MANUFACTURER ACCEPTS NO RESPONSIBILITY FOR THE DAMAGE TO PERSONS OR PROPERTY ARISING THROUGH IMPROPER USE OR INSTALLATION

24 VDC



CE

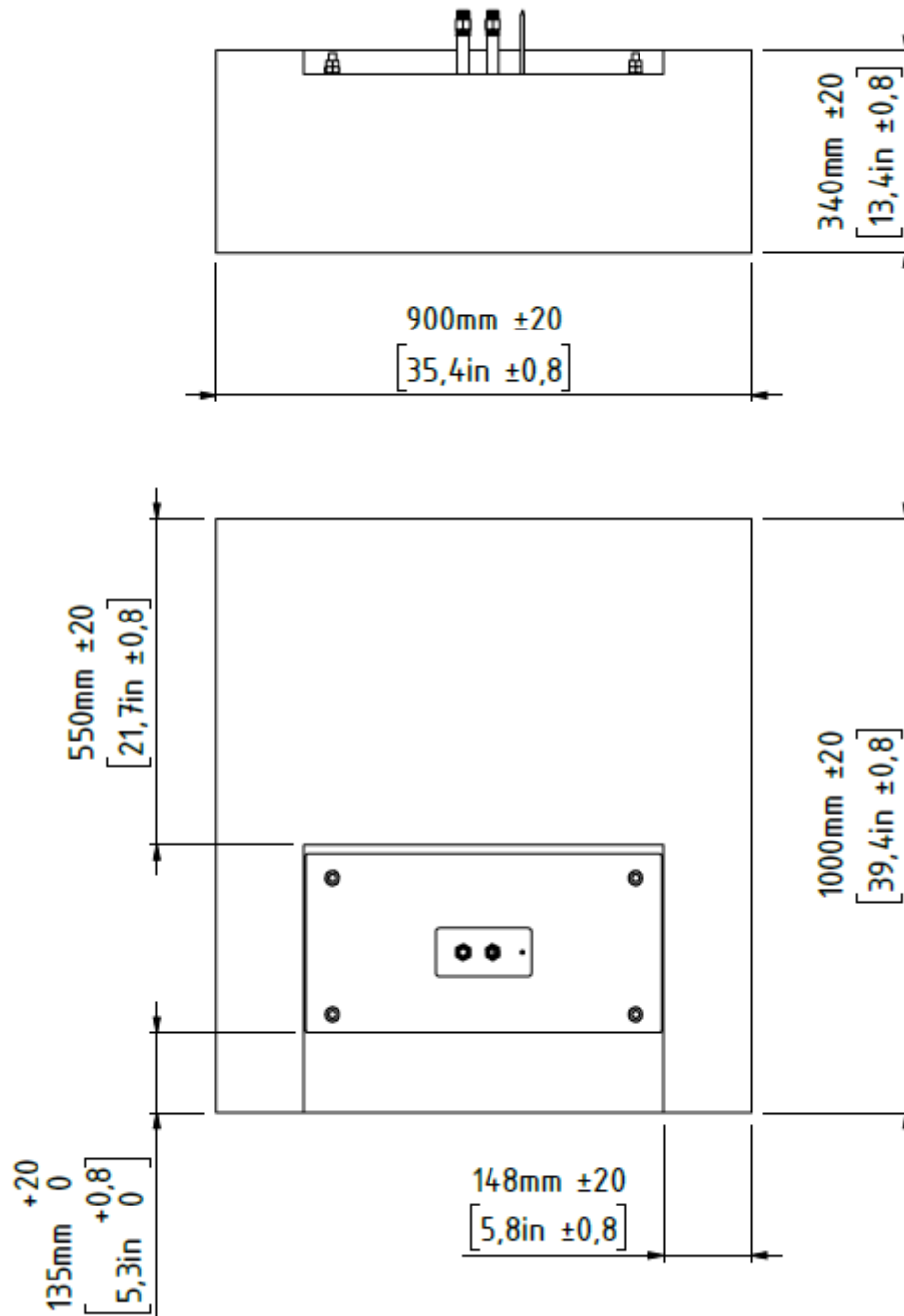


2-4 bar
29-58 psi

All dimensions are given according to the SI system of units (mm/cm/m, kg, °C), additional dimensions that are written in brackets, are given according to the U.S. measurement system (in/ft, °F)

FOUNDATION DIMENSIONS:

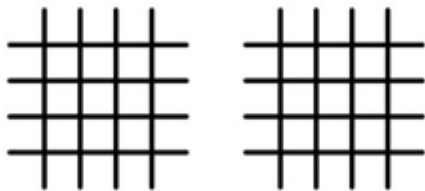
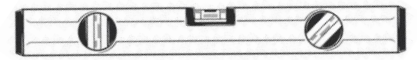
- FOUNDATION DIMENSIONS MUST NOT BE LESS THAN GIVEN
- IF NECESSARY, DEPENDING ON THE SELECTED DRAINAGE SYSTEM, THE GIVEN DIMENSIONS CAN BE INCREASED



NECESSARY TOOLS:



APPROX. 0,3m³ [10,6ft³]
OF CONCRETE



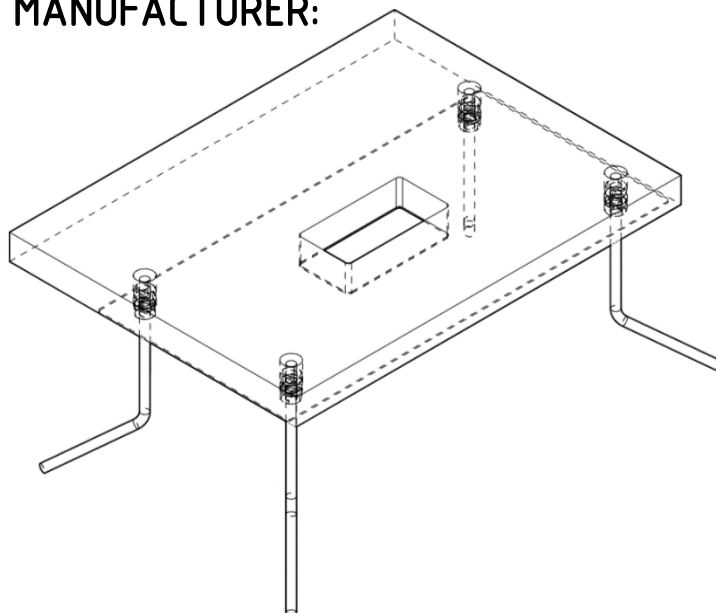
REINFORCING MESH Ø8mm [0,32"]
Tot. length = 30,2m [990ft 9,8"]



x4

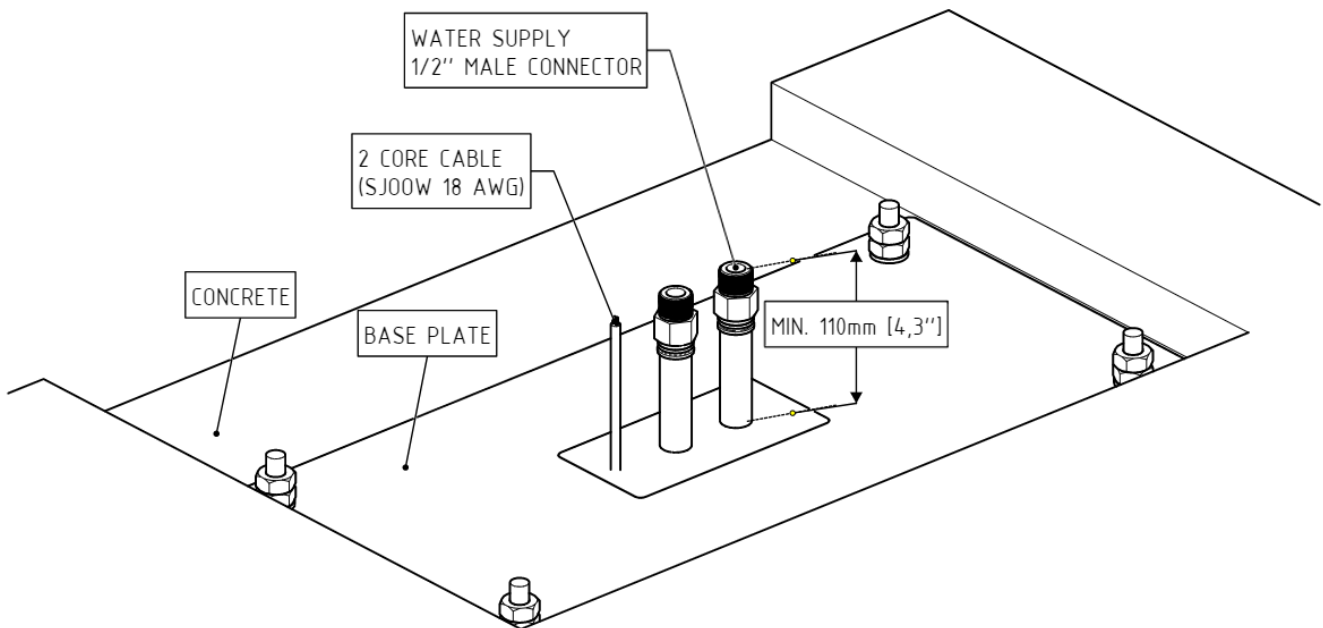
POURING FRAMEWORK
(Refer to Foundation Dimensions)

PROVIDED BY MANUFACTURER:



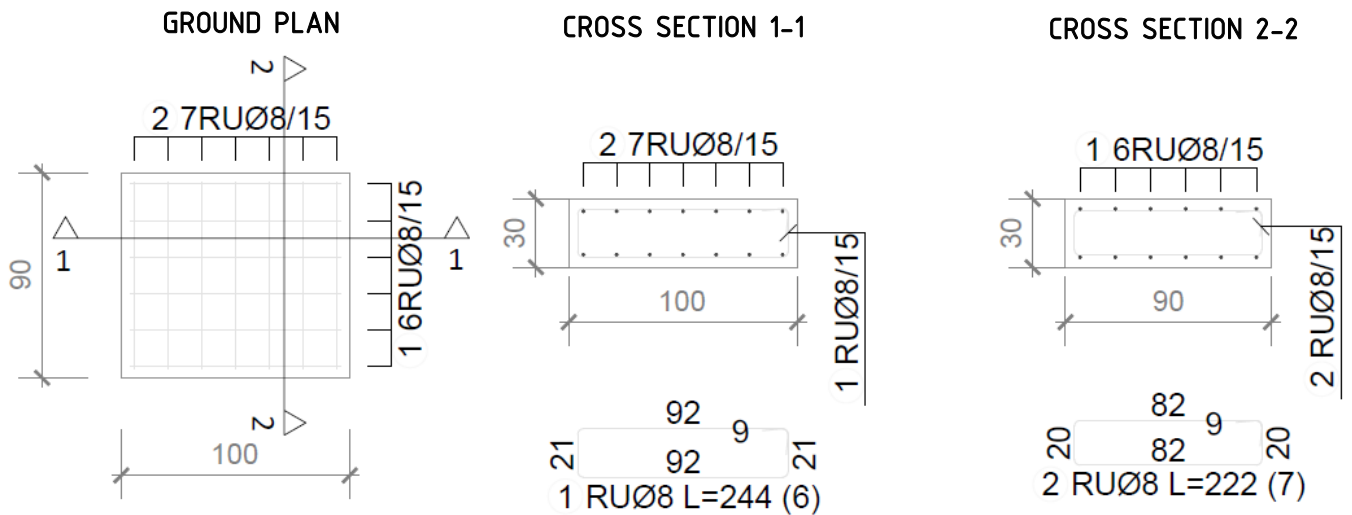
GUIDE FOR POWER AND WATER SUPPLY:

1. ALL INSTALLATIONS TO BE PROVIDED BEFORE POURING OF THE FOUNDATION, SUBSEQUENT DRILLING AND CUTTING OF REINFORCING MESH ARE STRICTLY FORBIDDEN
2. ENSURE SUFFICIENT LENGTH OF PIPES AND CABLES BEFORE CONCRETE POURING
3. WATER SUPPLY MUST BE AT LEAST 110mm [4,3"] FROM BASE PLATE, WITH PROVIDED 1/2" MALE CONNECTORS
4. HOT WATER SUPPLY OPTIONAL
5. FOR POWER SUPPLY 2 CORE CABLE MUST BE PROVIDED (24V) WITH MINIMAL LENGTH 500mm [19,7"]
6. MAKE SURE NOT TO DAMAGE SUPPLIES WHEN PLACING REINFORCING MESH AND POURING CONCRETE



GUIDE FOR FOUNDATION POURING:

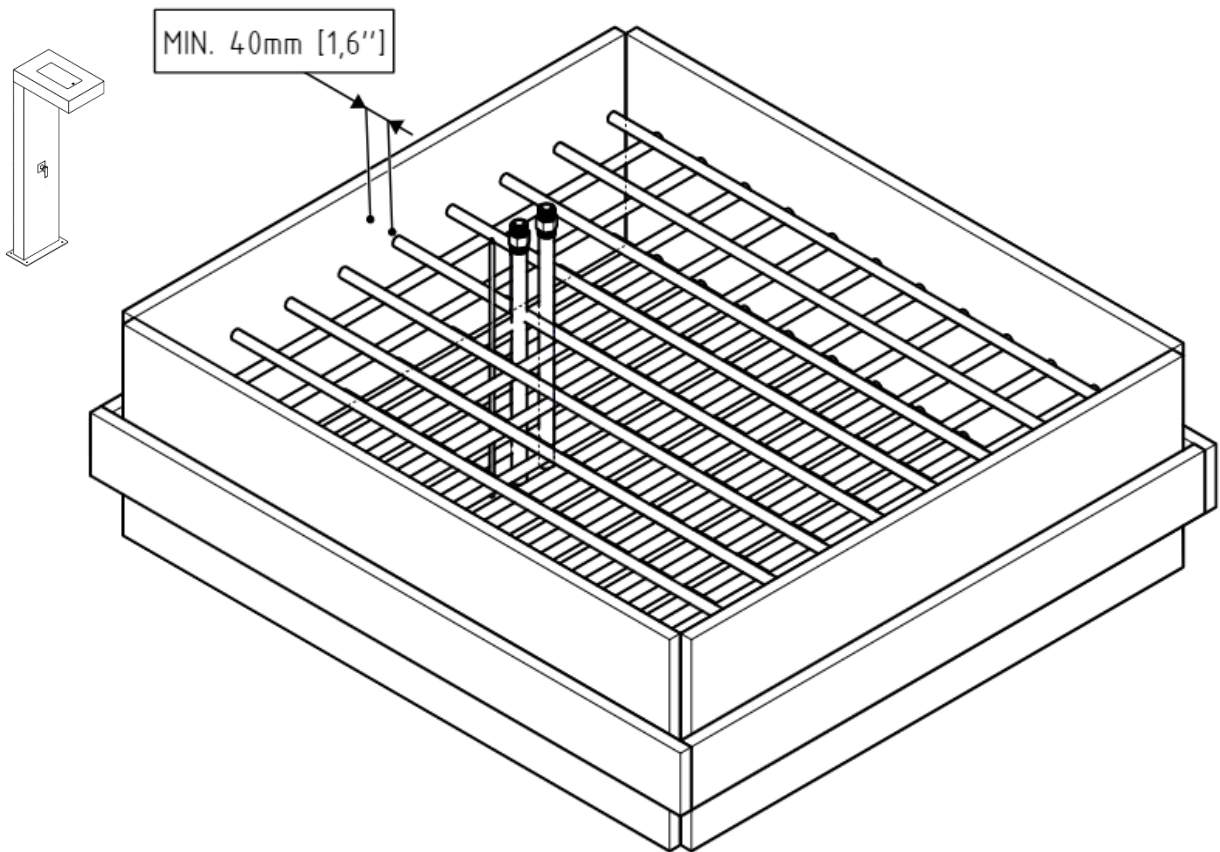
1. BEFORE BUILDING AND PLACING A WOODEN FRAMEWORK MAKE SURE THAT SOIL IS PREPARED ACCORDING TO THE STANDARDS AS WELL AS LOCAL JURISDICTIONAL CODES AND REGULATIONS
2. BUILD A WOODEN FRAMEWORK 1000x900x340mm [39,4"x35,4"x13,4"'] (Refer to Foundation Dimensions)
3. FORM THE REINFORCING MESH AND PLACE IT AS SHOWN BELOW:



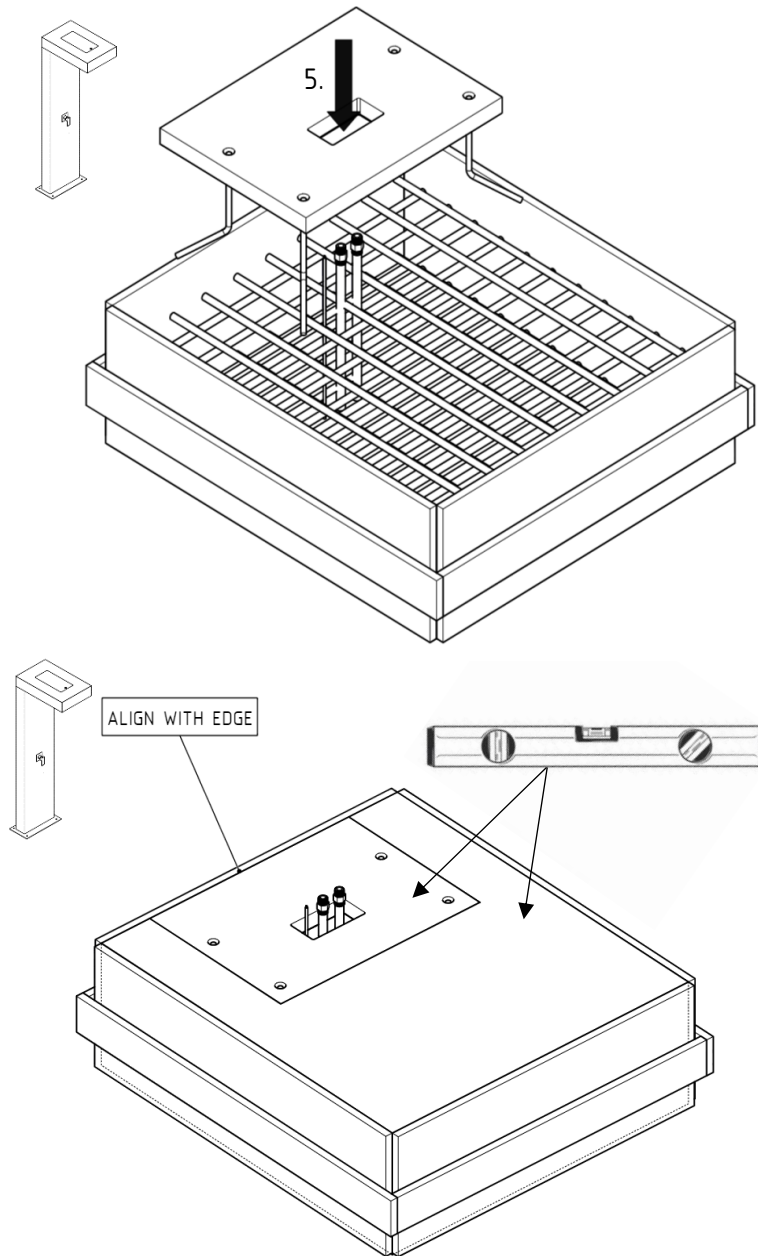
SUMMARY:

REINFORCING BARS - SPECIFICATION					
LABEL	SHAPE AND DIMENSIONS [cm/ft]	Ø [mm/in]	LENGTH [m/ft]	N [pcs]	LENGHT _N [m/ft]
1		8/0,32"	2,44/800,5	6	14,64/4803.2
2		8/0,32"	2,22/728,3	7	15,54/5098.4

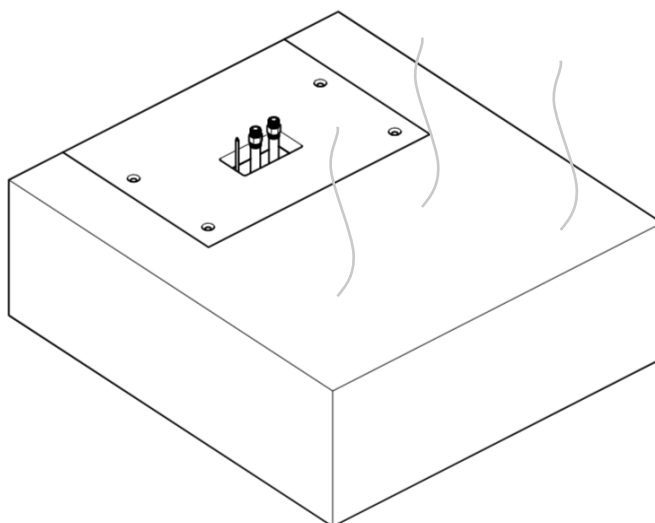
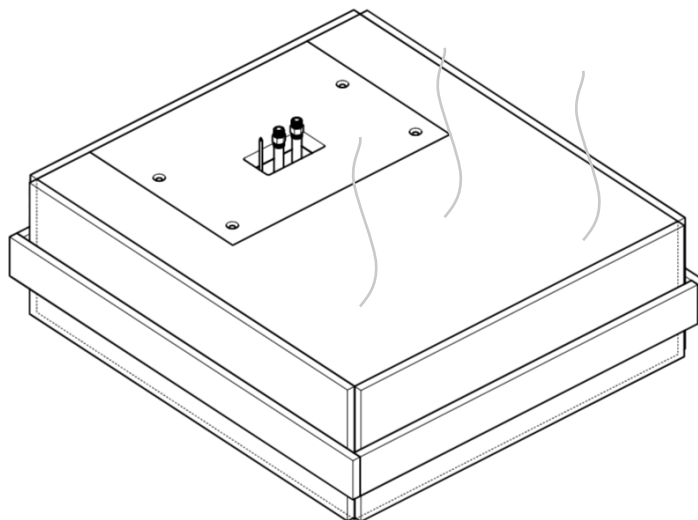
4. PROTECTIVE LAYER OF CONCRETE SHOULD NOT BE LESS THAN 40mm [1,6"]



5. PLACE THE BASE PLATE ASSEMBLY INSIDE THE FRAME; ENSURE THAT AFTER POURING OF CONCRETE THE ASSEMBLY IS ALIGNED ALONG THE EDGE (L=900mm [35,4''']) AND IN LEVEL WITH THE UPPER LAYER OF CONCRETE



6. LET THE CONCRETE DRY FOR 48h WITH WOODEN FRAMEWORK AND NEXT 48h WITHOUT WOODEN FRAMEWORK



7. WHEN ACHIEVED TOTAL CURING TIME REMOVE STYRODUR (GREEN) PLATE, DESTROY IF DIFFICULT REMOVAL
8. CLEAN INOX PLATE FROM CONCRETE IF NECESSARY

