

6

5

4

3

2

1

D

D

C

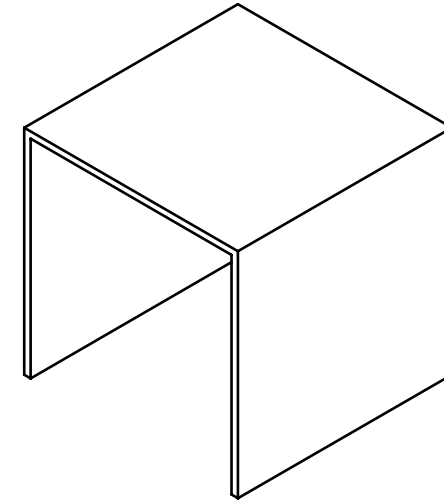
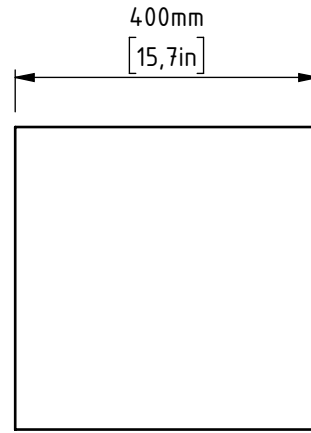
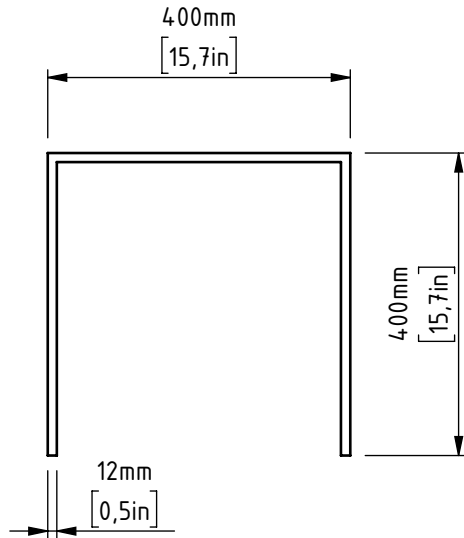
C

B

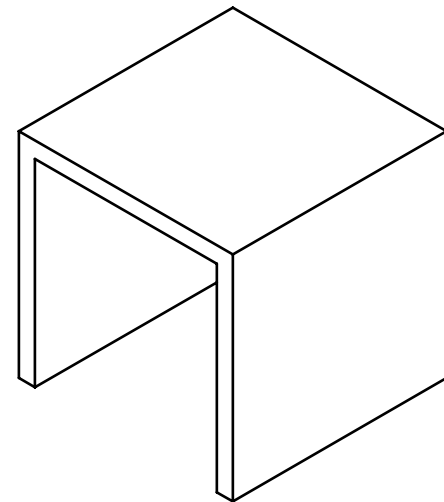
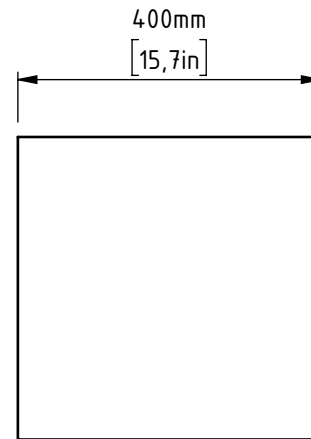
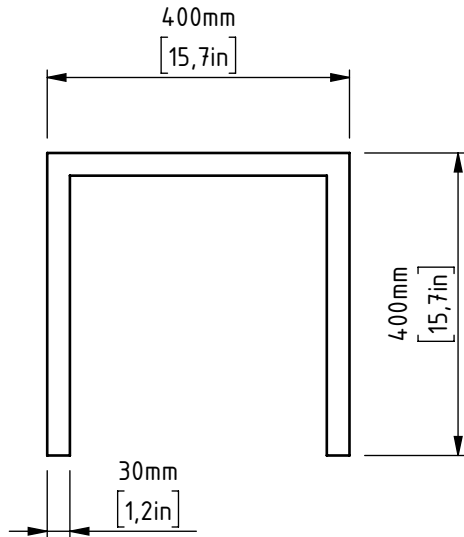
B

A

A



CERAMICS



STONE

DESCRIPTION: 400x400x400		MATERIAL STONE/CERAMICS	MASS:	SURFACE FINISH:
DOCUMENT TYPE:		INTENDED FOR:		DRAWING STATUS:
 FIRST ANGLE PROJECTION	U.N.O. TOLERANCES 2 PLACE DECIMAL 0.00 ±0.1 1 PLACE DECIMAL 0.0 ±0.25 0 PLACE DECIMAL 0 ±0.5 ANGULAR 15 MIN. (0.25°) BREAK SHARP EDGES 0.3 ± 0.1 x 45°		DESIGNED	
			CHECKED	
			APPROVED	
SCALE 1:10	U.N.O. DIMENSIONS IN MILLIMETERS		SHEET SIZE A4	SHEET 5/7
		DATE OF ISSUE 31.1.2022.	REV. 0	

E		KORTA	PROJECT: ADDITIONAL PRODUCTS TITLE: TABLE
D			
C			
B			
A			
REVISION		THIS DOCUMENT IS PROPERTY OF INFINITY LUXURY D.O.O. WITH ALL PERTAINING RIGHTS AND IT IS NOT TO BE COPIED OR USED FOR ANY OTHER PURPOSES OTHER THAN INTENDED ONE WITHOUT PREVIOUS WRITTEN PERMISSION OF INFINITY LUXURY D.O.O. WHO RESERVES ALL RIGHTS AND INTERESTS THERE TO.	SAP CODE:
REVISION			DRAWING NUMBER: ADDITIONAL PRODUCTS (stone-ceramics)

6

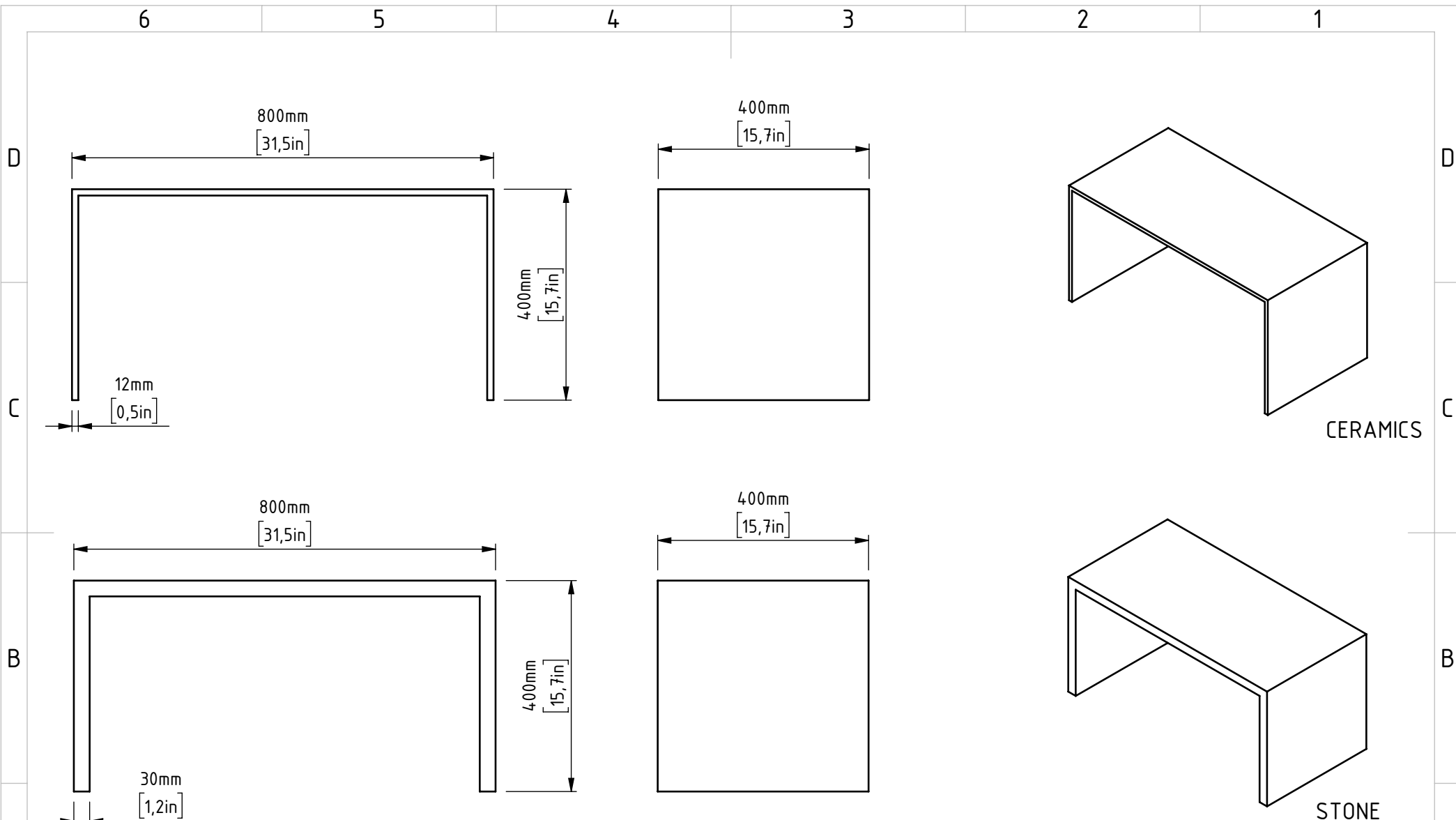
5

4

3

2

1



E		KORTA	PROJECT:		DESCRIPTION:		MATERIAL:		MASS:		SURFACE FINISH:	
D			TITLE:		800x500x500		STONE/CERAMICS					
C			ADDITIONAL PRODUCTS		DOCUMENT TYPE:		INTENDED FOR:		DRAWING STATUS:			
B			TABLE		FIRST ANGLE PROJECTION		U.N.O. TOLERANCES		DESIGNED			
A			SAP CODE:		DRAWING NUMBER:		2 PLACE DECIMAL 0.00 ±0.1		CHECKED			
REVISION		THIS DOCUMENT IS PROPERTY OF INFINITY LUXURY D.O.O. WITH ALL PERTAINING RIGHTS AND IT IS NOT TO BE COPIED OR USED FOR ANY OTHER PURPOSES OTHER THAN INTENDED ONE WITHOUT PREVIOUS WRITTEN PERMISSION OF INFINITY LUXURY D.O.O. WHO RESERVES ALL RIGHTS AND INTERESTS THEREOF.		ADDITIONAL PRODUCTS (stone-ceramics)		0 PLACE DECIMAL 0 ±0.5		APPROVED				
6		5		4		3		2		1		
SCALE		U.N.O. DIMENSIONS IN MILLIMETERS		SHEET SIZE		SHEET		DATE OF ISSUE		REV.		
1:10		A4		4 / 7		31.1.2022.		0				