

6

5

4

3

2

1

D

D

C

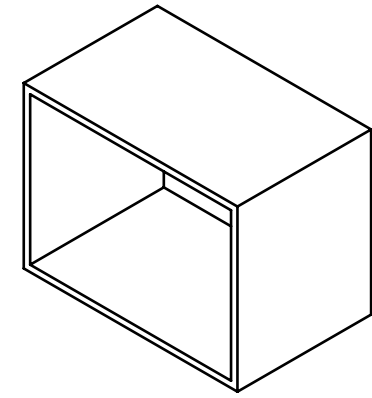
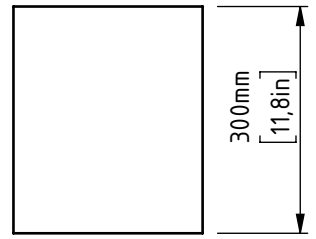
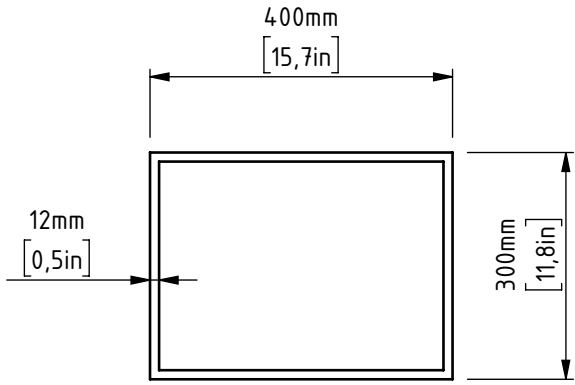
C

B

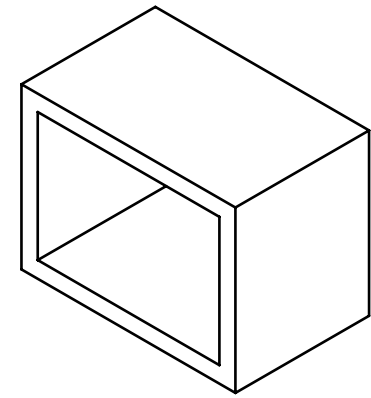
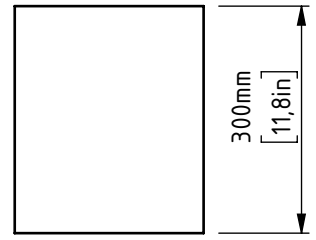
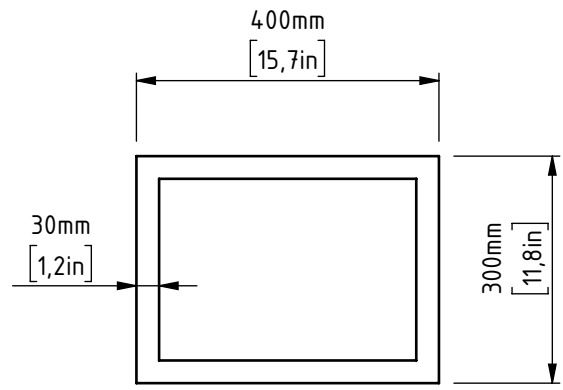
B

A

A



CERAMICS



STONE

DESCRIPTION: 400x250x300	MATERIAL STONE/CERAMICS	MASS:	SURFACE FINISH:
DOCUMENT TYPE:	INTENDED FOR:	DRAWING STATUS:	
 FIRST ANGLE PROJECTION	U.N.O. TOLERANCES 2 PLACE DECIMAL 0.00 ±0.1 1 PLACE DECIMAL 0.0 ±0.25 0 PLACE DECIMAL 0 ±0.5 ANGULAR 15 MIN. (0.25°) BREAK SHARP EDGES 0.3 ± 0.1 x 45°	DESIGNED	
		CHECKED	
		APPROVED	
SCALE 1:10	U.N.O. DIMENSIONS IN MILLIMETERS	SHEET SIZE A4	SHEET 6/7
		DATE OF ISSUE 31.1.2022.	REV. 0

E		KORTA	PROJECT:	ADDITIONAL PRODUCTS TITLE: SIDE TABLE
D			TITLE:	
C			SAP CODE:	
B			DRAWING NUMBER:	
A			ADDITIONAL PRODUCTS (stone-ceramics)	
REVISION REVISION		<small>THIS DOCUMENT IS PROPERTY OF INFINITY LUXURY D.O.O. WITH ALL PERTAINING RIGHTS AND IT IS NOT TO BE COPIED OR USED FOR ANY OTHER PURPOSES OTHER THAN INTENDED ONE WITHOUT PREVIOUS WRITTEN PERMISSION OF INFINITY LUXURY D.O.O. WHO RESERVES ALL RIGHTS AND INTERESTS THERE TO.</small>		

6

5

4

3

2

1